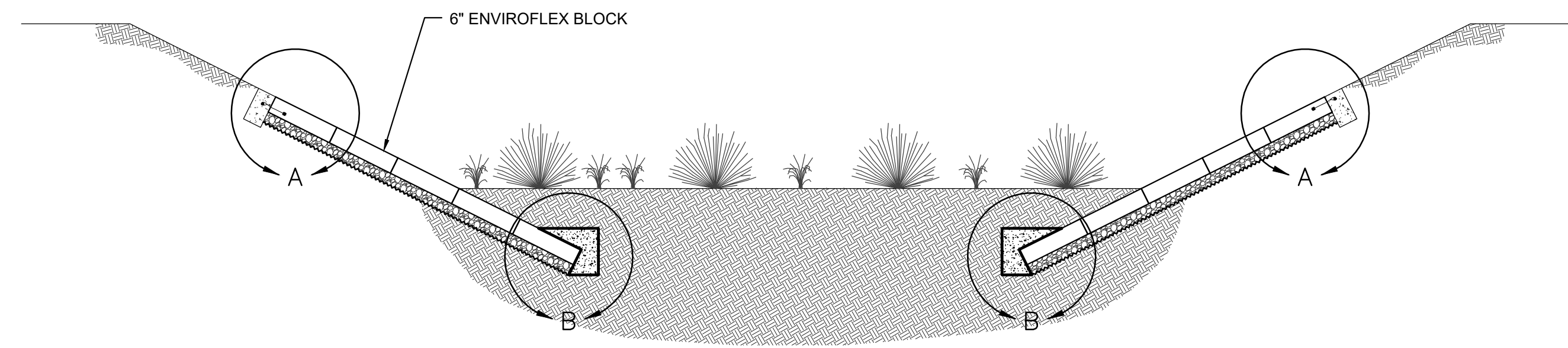


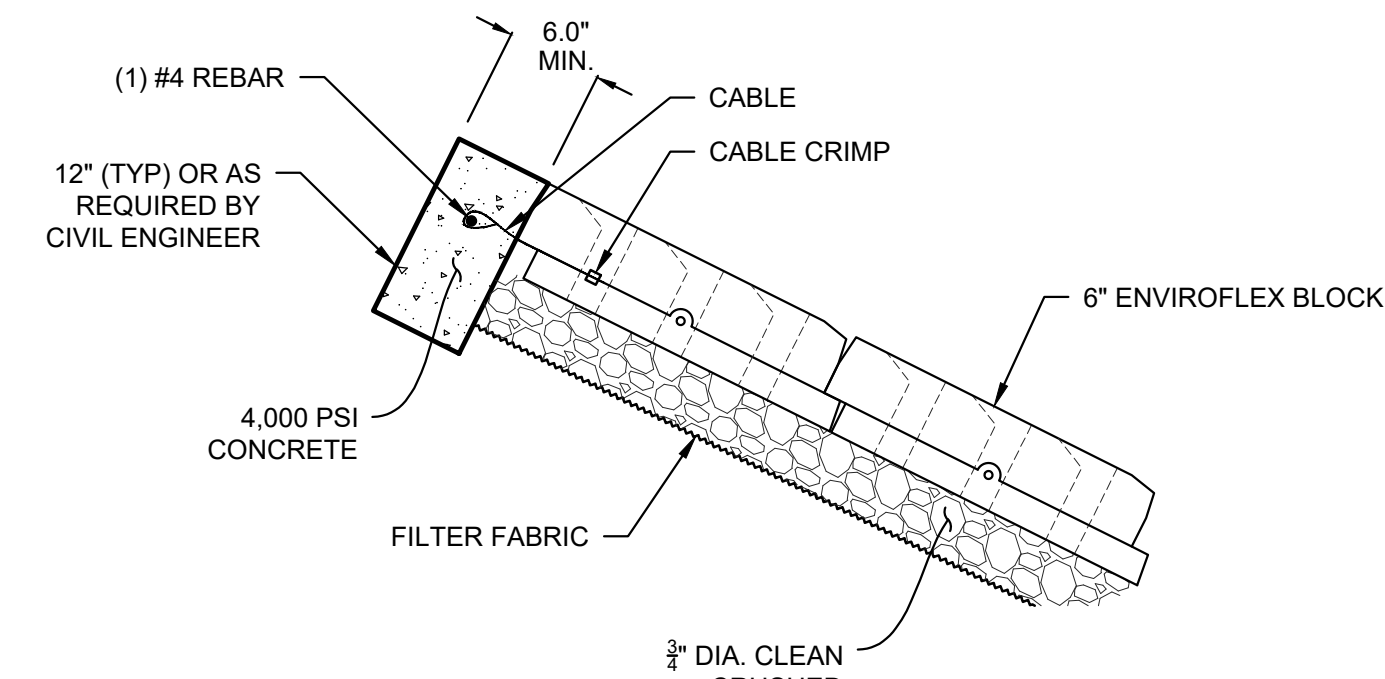
# ENVIROFLEX® - SIDE SLOPE LINED CHANNEL

TAPERED, VERTICALLY INTERLOCKING ARTICULATING CONCRETE BLOCK (ACB) SYSTEM



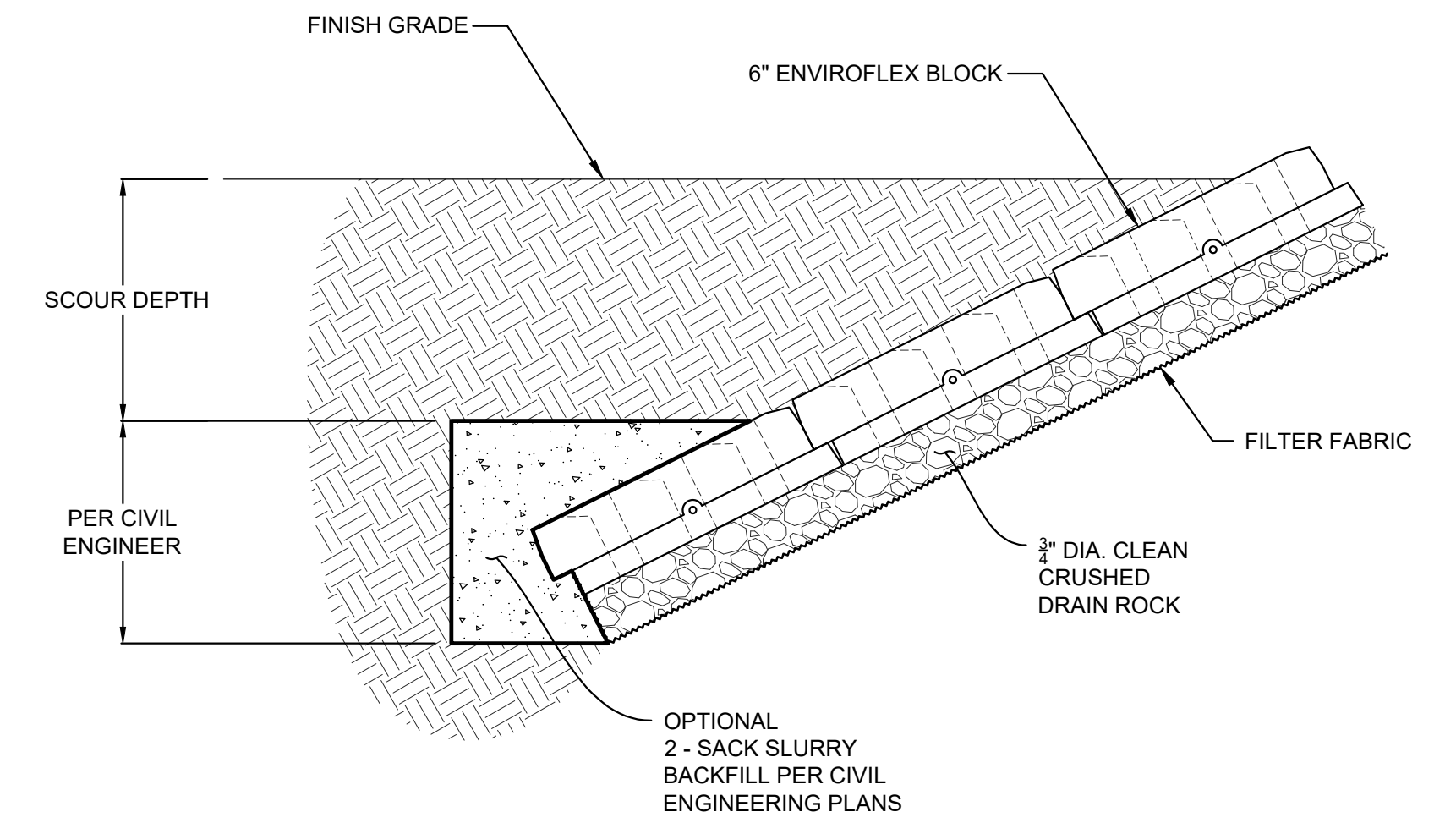
TYPICAL ENVIROFLEX® LINED SIDE SLOPE CHANNEL SECTION

N.T.S.



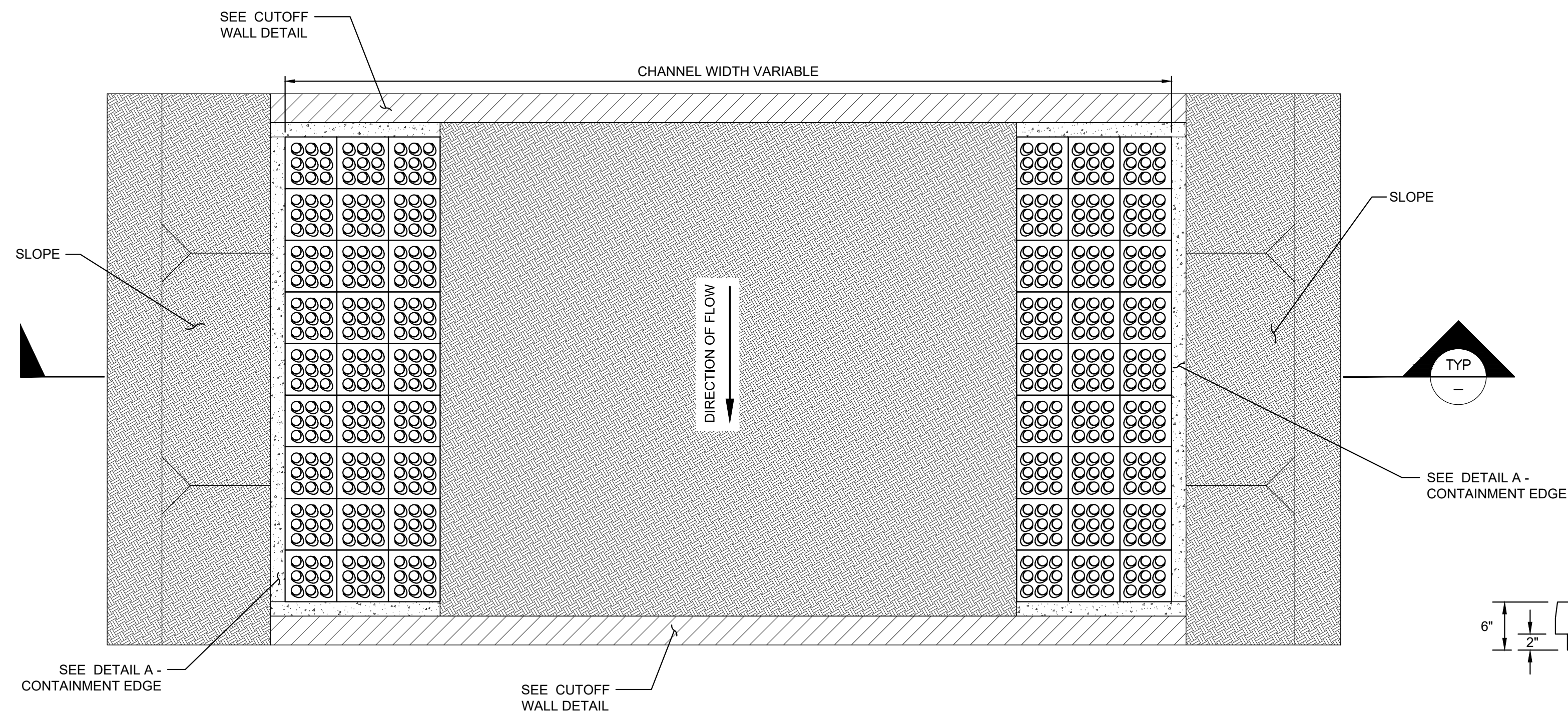
DETAIL A - CONTAINMENT EDGE

N.T.S.



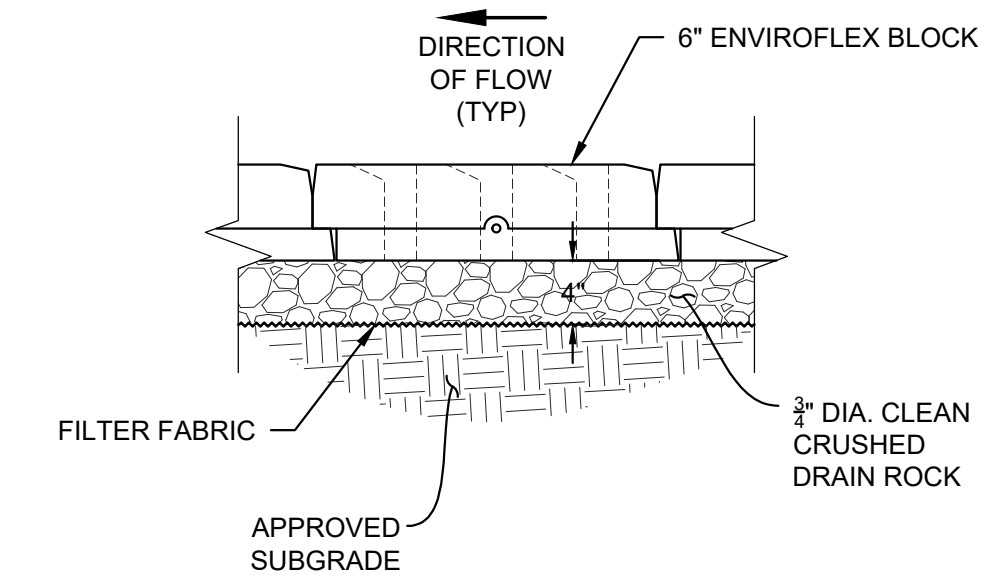
DETAIL B - TOE DOWN

N.T.S.



TYPICAL ENVIROFLEX® SIDE SLOPE LINED CHANNEL

N.T.S.

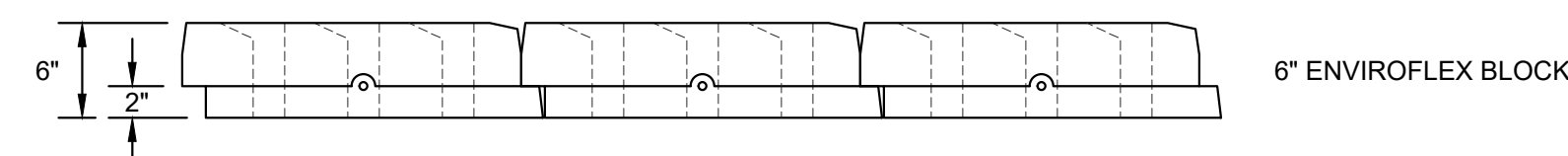


TYPICAL SECTION  
(W/ 4" DRAINAGE LAYER)

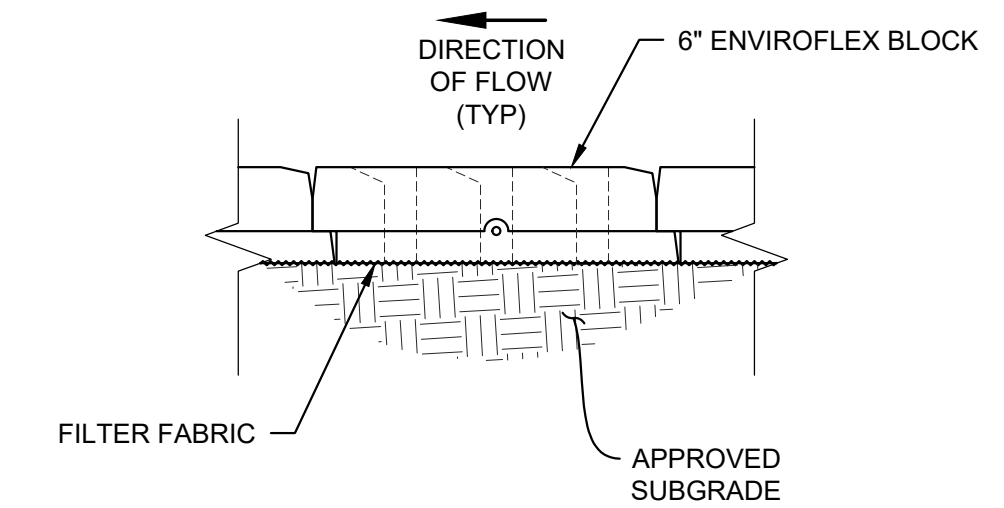
N.T.S.

6" ENVIROFLEX DESIGN CRITERIA			
W/ 4" DRAINAGE LAYER			
CRITICAL SHEAR STRESS	PSF	24.8	
VELOCITY LIMIT	FT/SEC	23.3	

NO CONNECTORS OR CABLES WERE USED IN THE TESTING FOR THE VALUES LISTED ABOVE.



6" ENVIROFLEX BLOCK

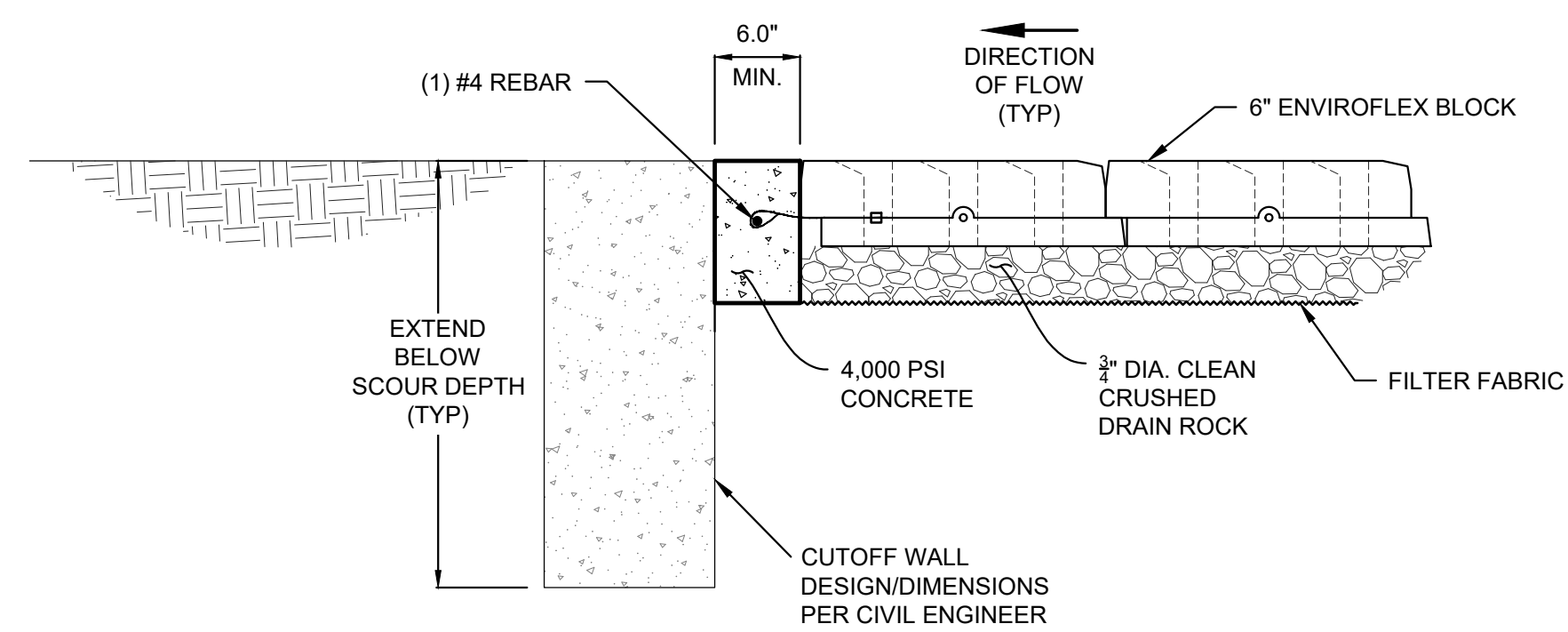


TYPICAL SECTION  
(OPTIONAL - W/ NO DRAINAGE LAYER)

N.T.S.

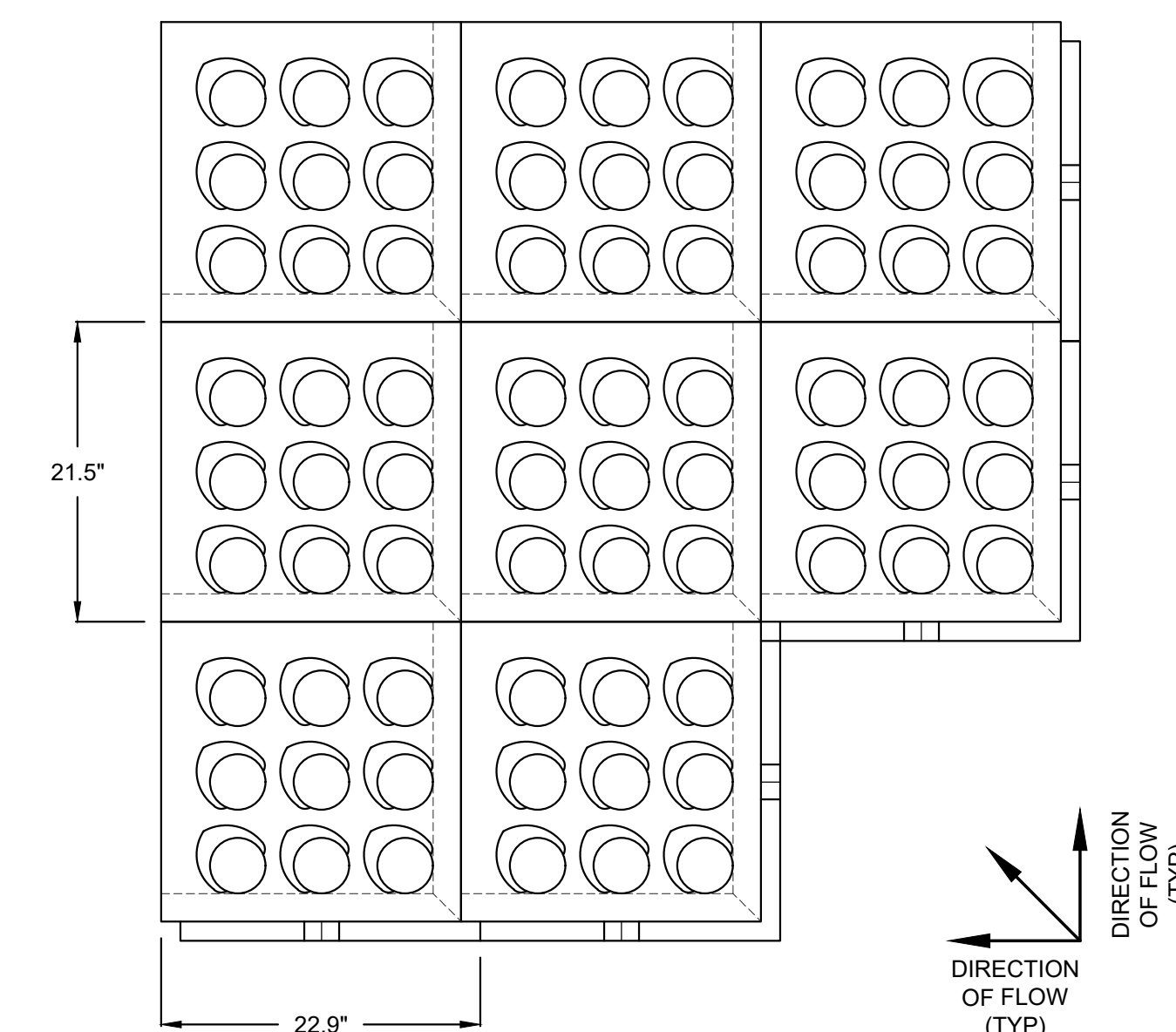
6" ENVIROFLEX DESIGN CRITERIA			
W/ NO DRAINAGE LAYER			
CRITICAL SHEAR STRESS	PSF	8.6	
VELOCITY LIMIT	FT/SEC	12.1	

NO CONNECTORS OR CABLES WERE USED IN THE TESTING FOR THE VALUES LISTED ABOVE.



CUTOFF WALL DETAIL

N.T.S.



ENVIROFLEX® BLOCK DETAILS



1265 CARLSBAD VILLAGE DRIVE, SUITE 100, CARLSBAD, CA 92008  
(800) 346-7995 WWW.SOILRETENTION.COM