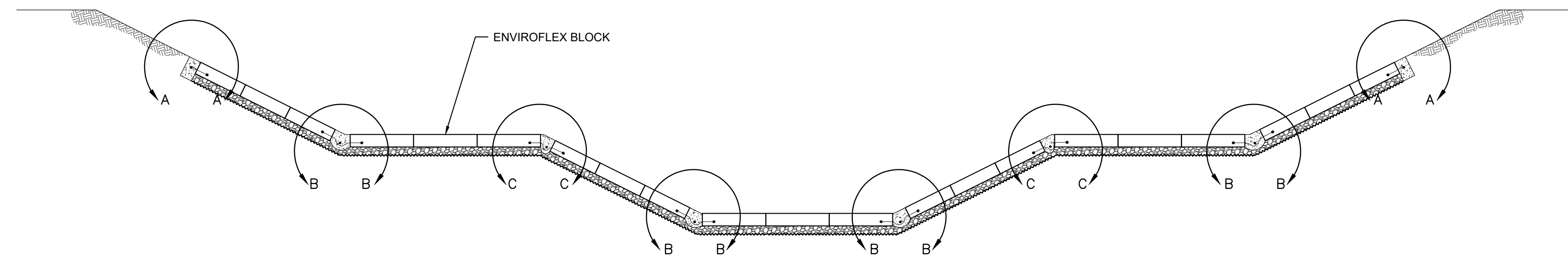
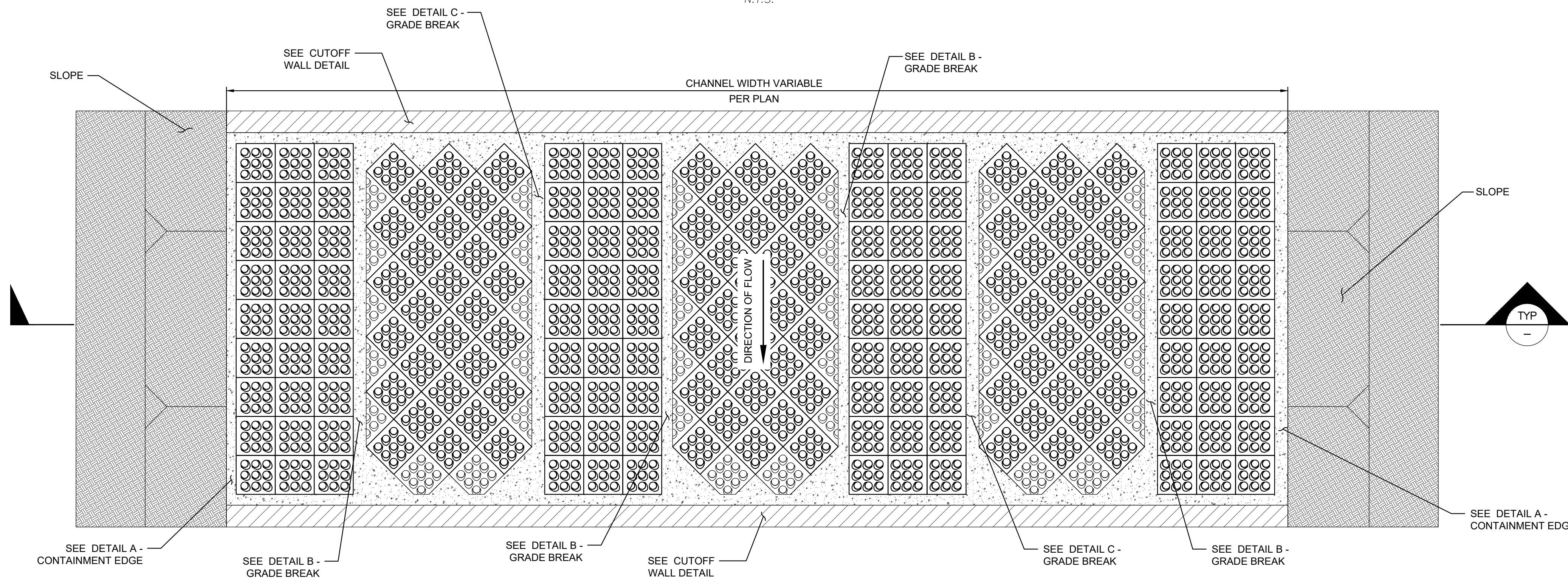


# ENVIROFLEX® - COMPOUND CHANNEL

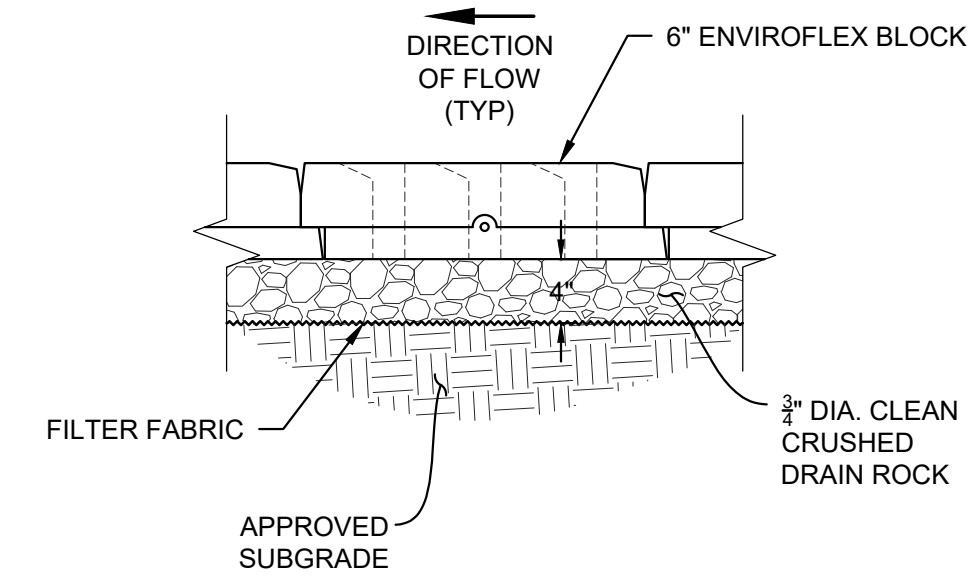
TAPERED, VERTICALLY INTERLOCKING ARTICULATING CONCRETE BLOCK (ACB) SYSTEM



TYPICAL ENVIROFLEX® LINED COMPOUND CHANNEL SECTION  
N.T.S.



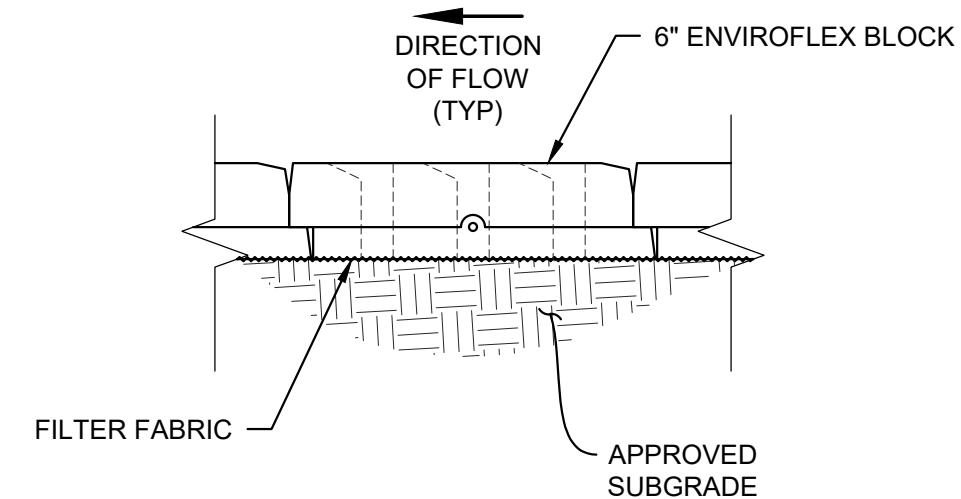
TYPICAL ENVIROFLEX® LINED COMPOUND CHANNEL  
N.T.S.



TYPICAL SECTION  
(W/ 4" DRAINAGE LAYER)  
N.T.S.

6" ENVIROFLEX DESIGN CRITERIA		
W/ 4" DRAINAGE LAYER		
CRITICAL SHEAR STRESS	PSF	24.8
VELOCITY LIMIT	FT/SEC	23.3

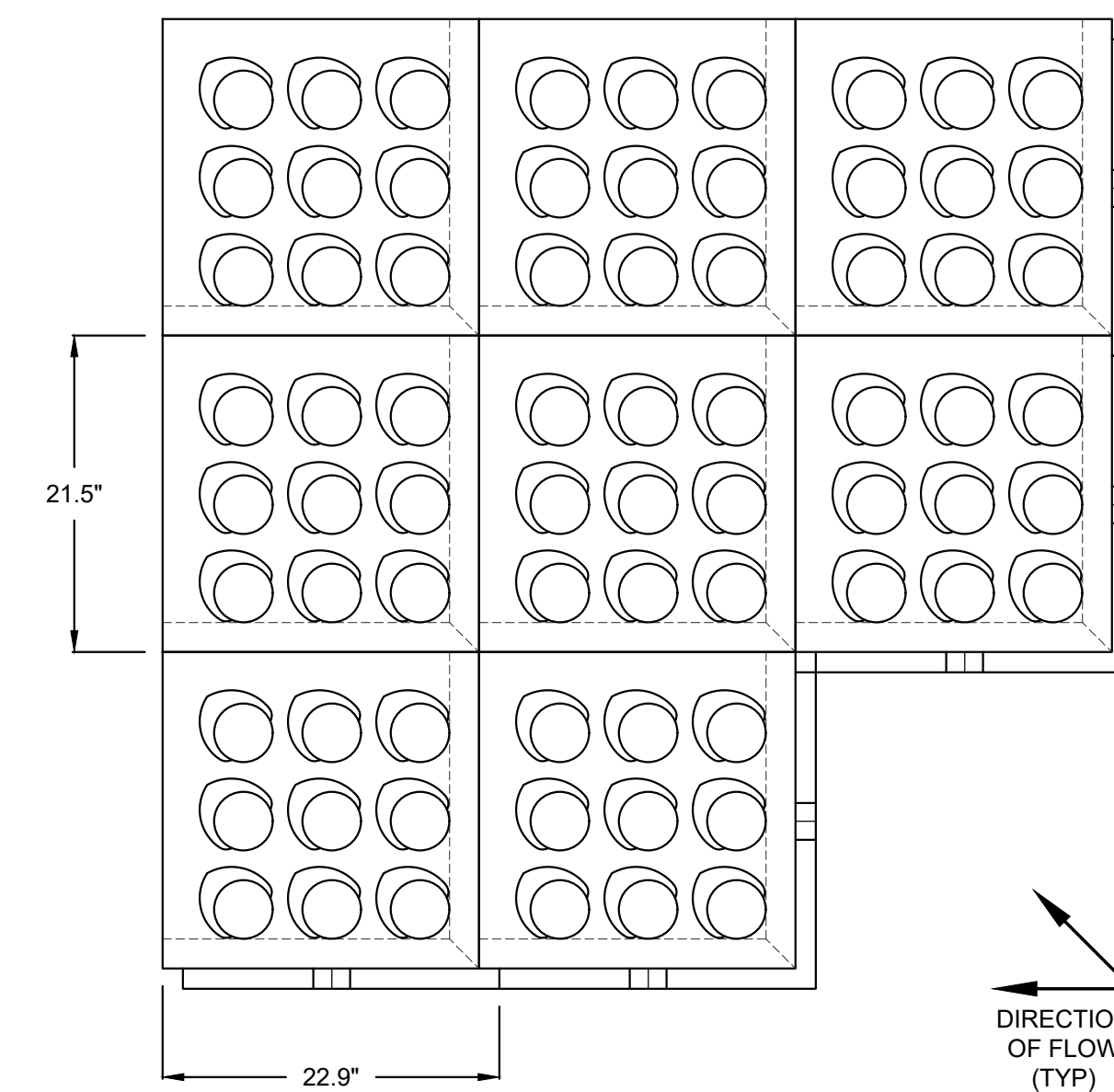
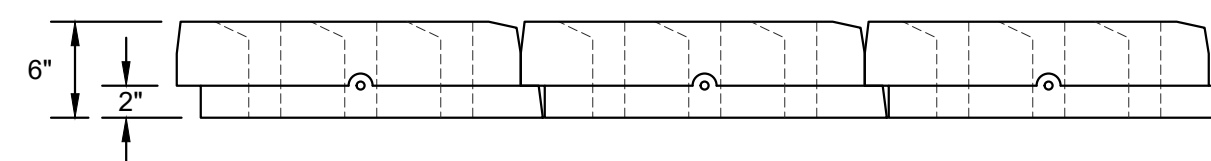
NO CONNECTORS OR CABLES WERE USED IN THE TESTING FOR THE VALUES LISTED ABOVE.



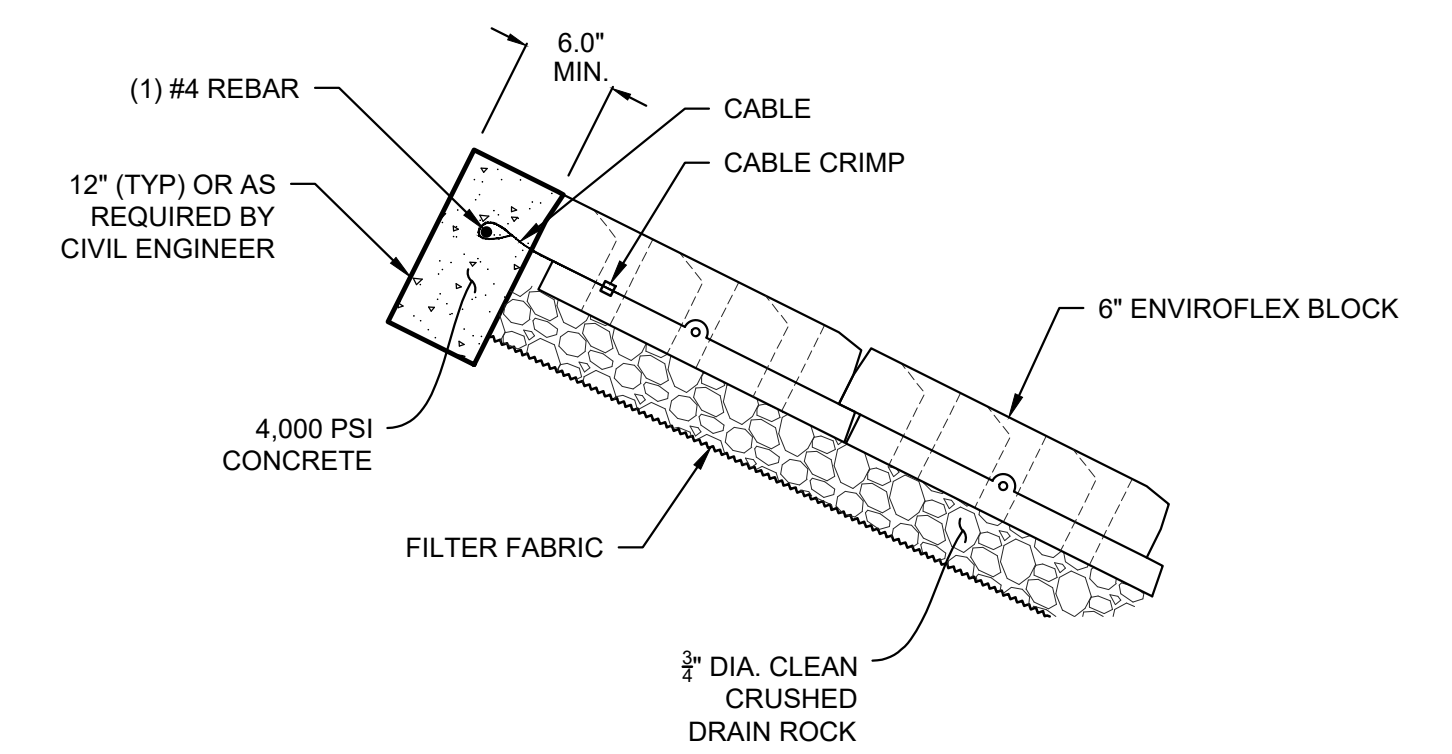
TYPICAL SECTION  
(OPTIONAL - W/ NO DRAINAGE LAYER)  
N.T.S.

6" ENVIROFLEX DESIGN CRITERIA		
W/ NO DRAINAGE LAYER		
CRITICAL SHEAR STRESS	PSF	8.6
VELOCITY LIMIT	FT/SEC	12.1

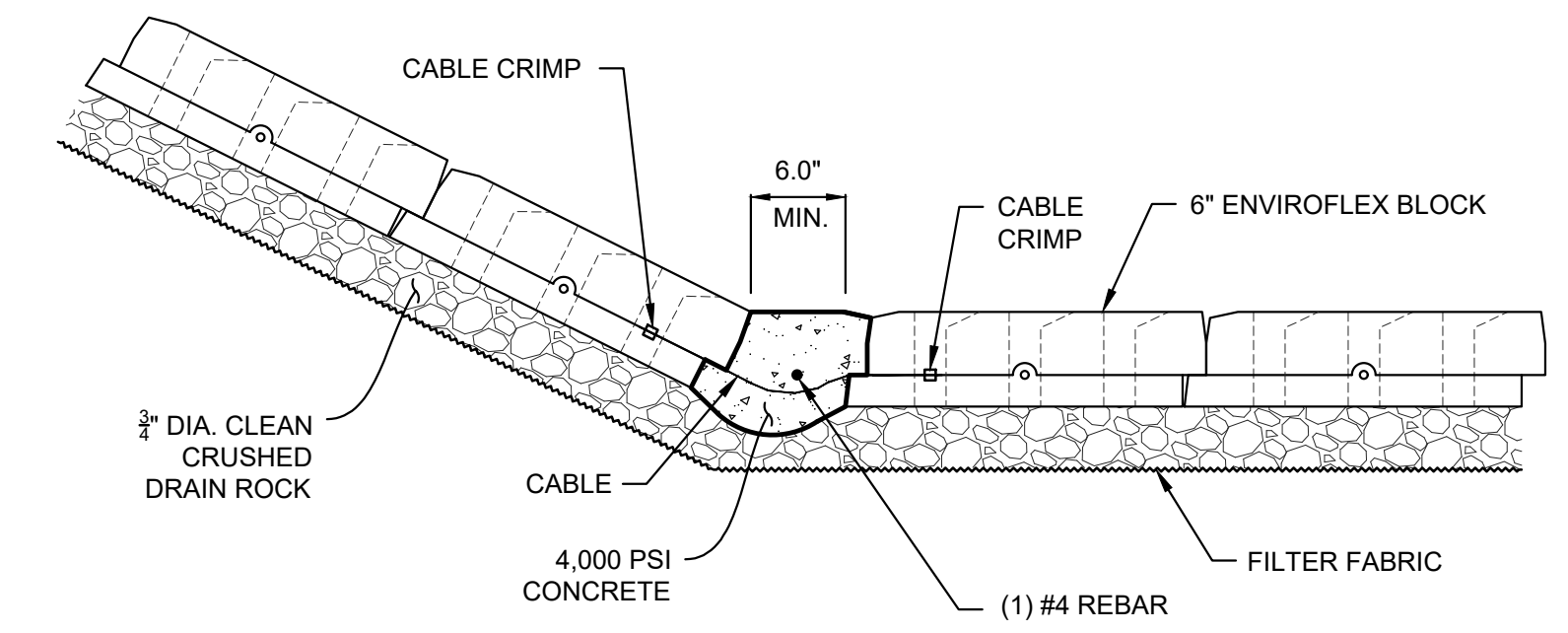
NO CONNECTORS OR CABLES WERE USED IN THE TESTING FOR THE VALUES LISTED ABOVE.



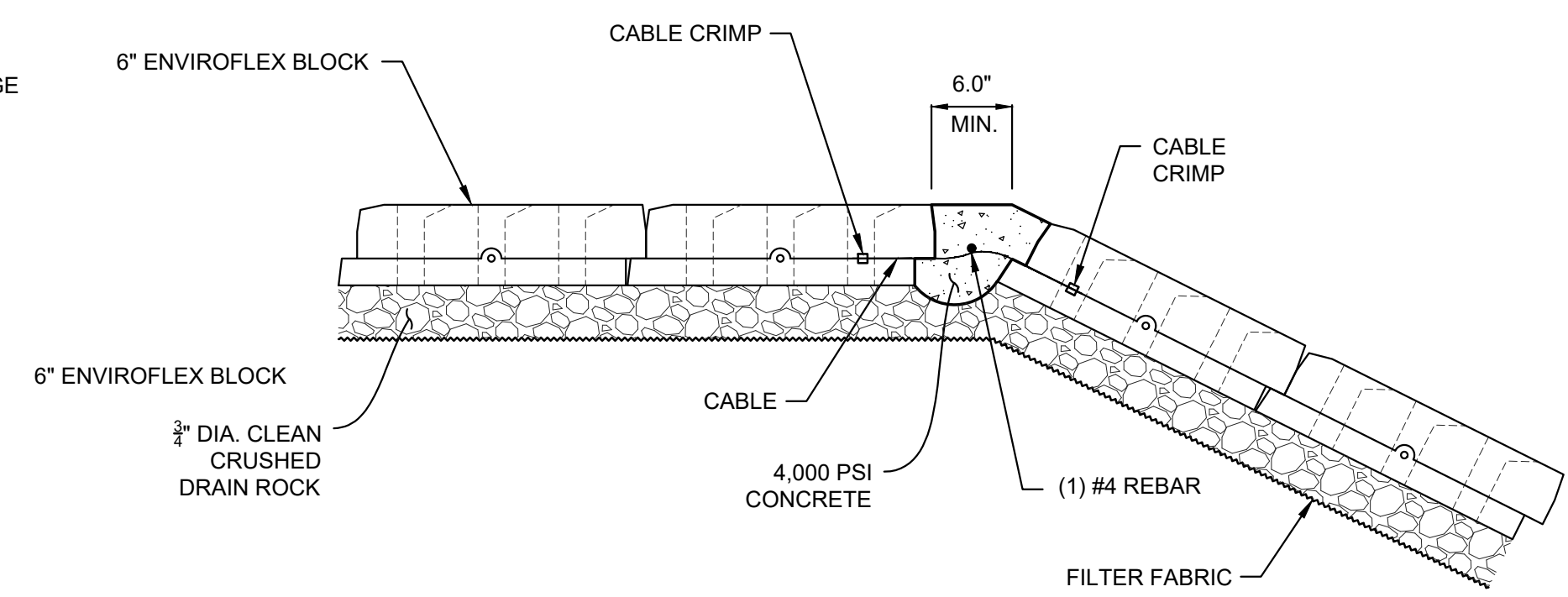
ENVIROFLEX® BLOCK DETAILS  
N.T.S.



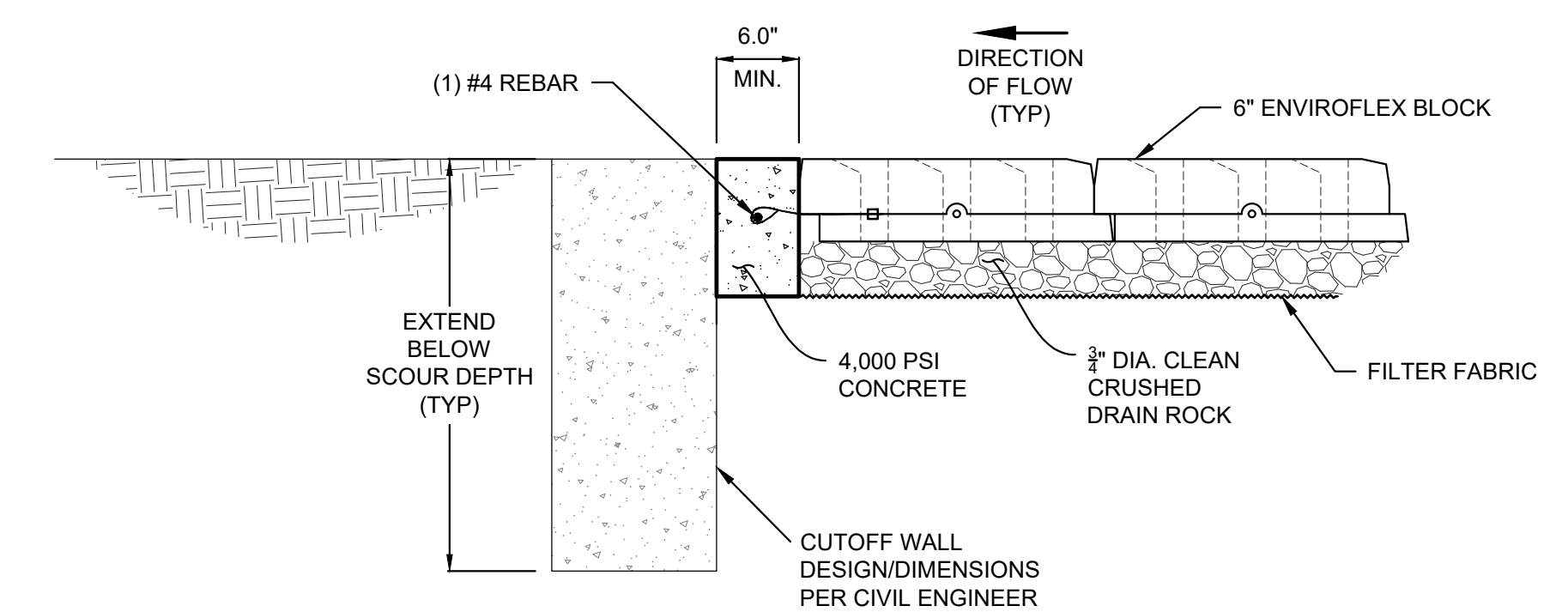
DETAIL A - CONTAINMENT EDGE  
N.T.S.



DETAIL B - GRADE BREAK  
N.T.S.



DETAIL C - GRADE BREAK  
N.T.S.



TYPICAL CUTOFF WALL DETAIL  
N.T.S.