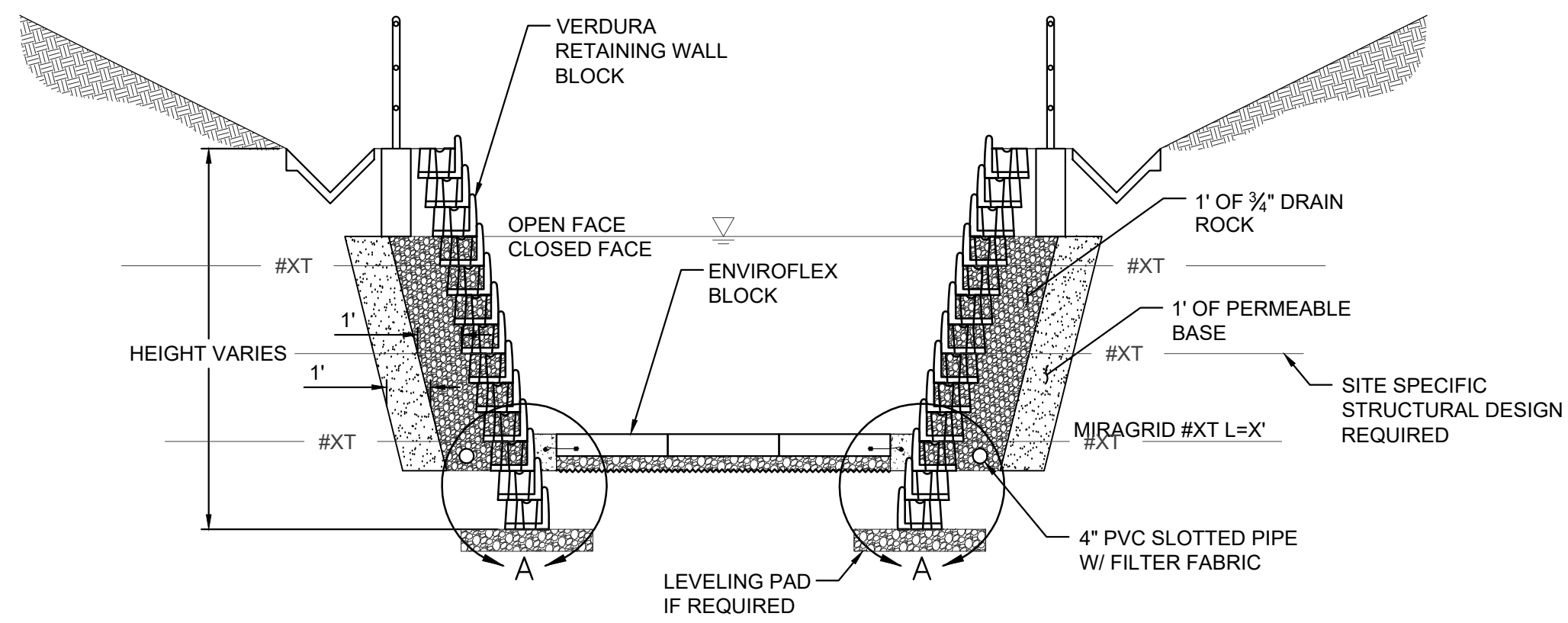
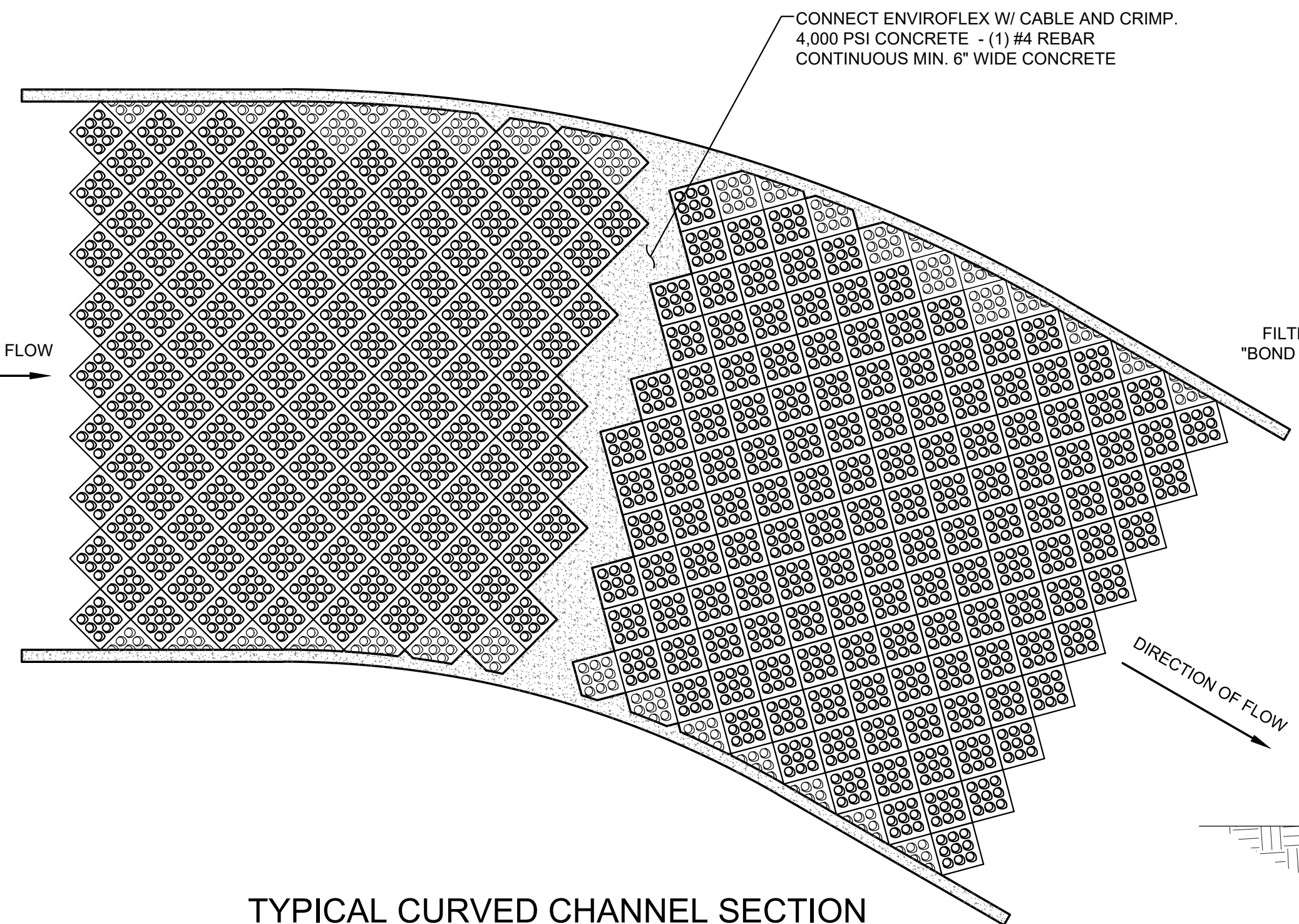


ENVIROFLEX® - CHANNEL WITH VERDURA RETAINING WALL

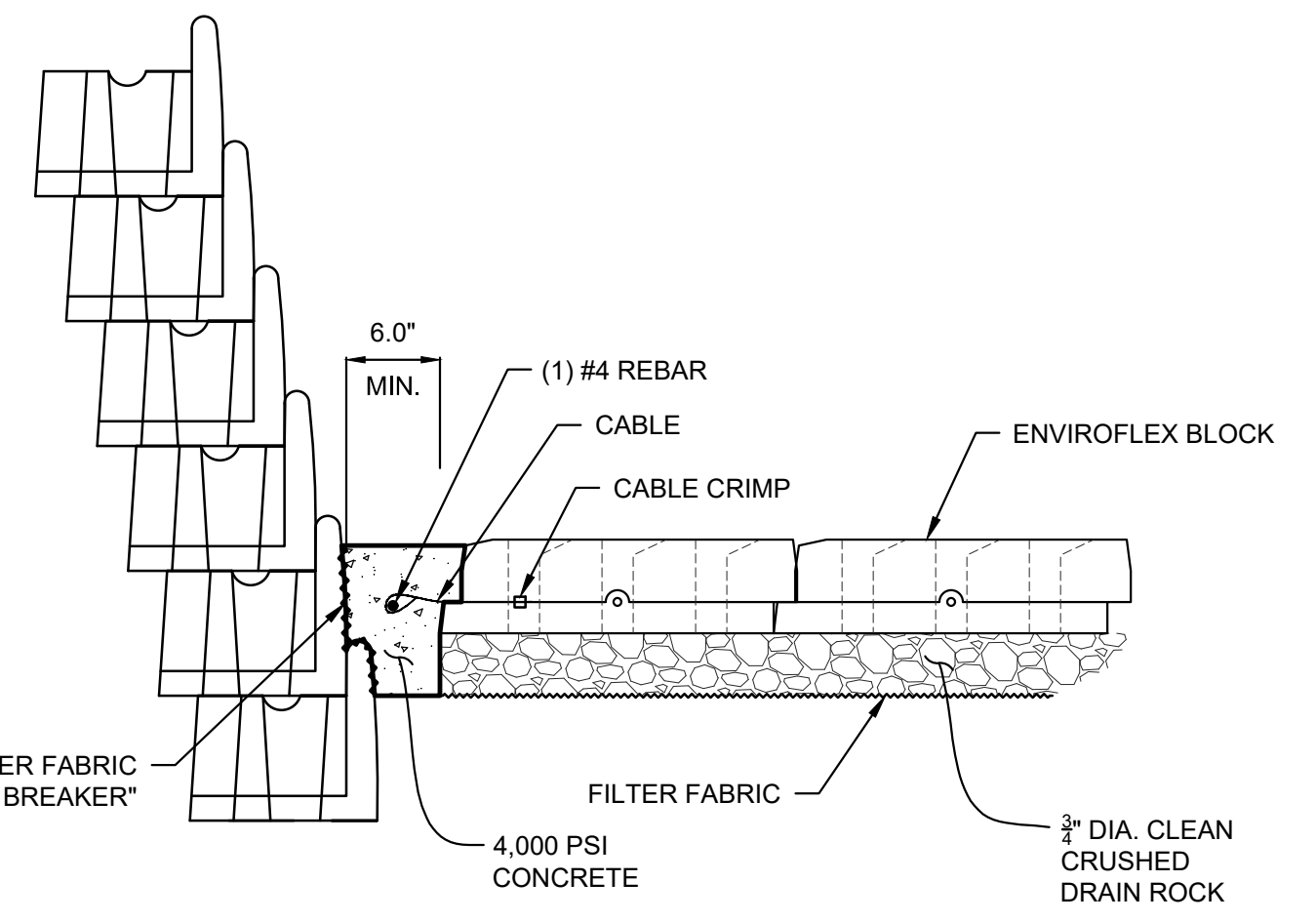
TAPERED, VERTICALLY INTERLOCKING ARTICULATING CONCRETE BLOCK (ACB) SYSTEM



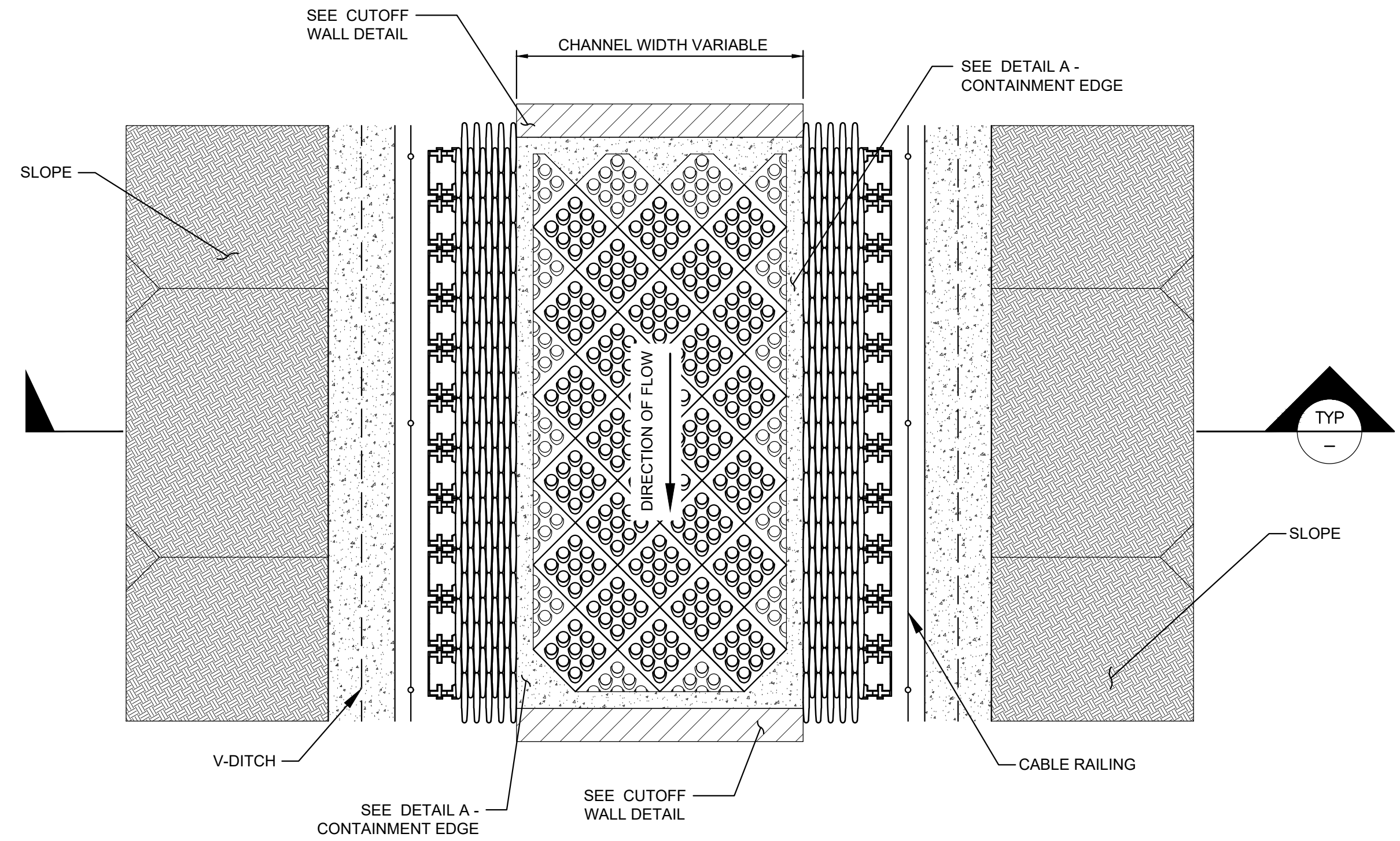
TYPICAL ENVIROFLEX® LINED VERDURA WALLED CHANNEL SECTION
N.T.S.



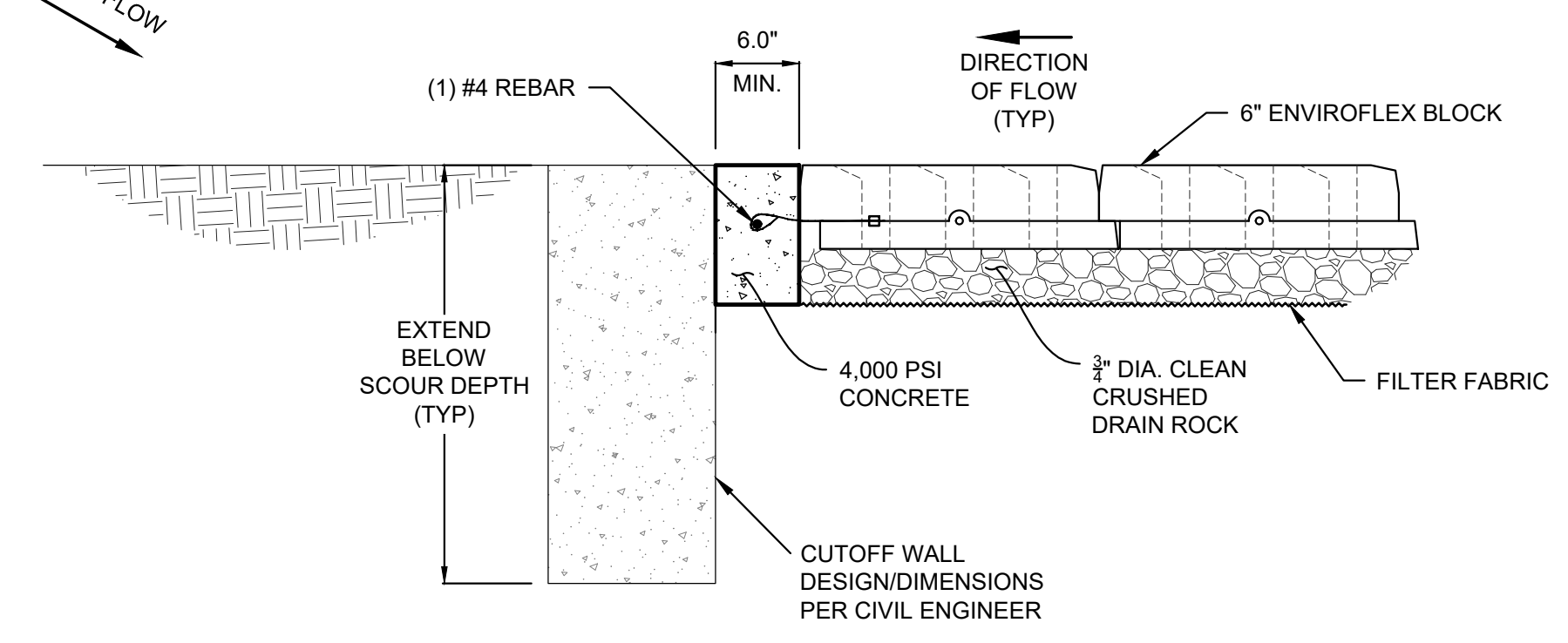
TYPICAL CURVED CHANNEL SECTION
(REALIGNMENT ADJUSTMENT AS REQUIRED)
N.T.S.



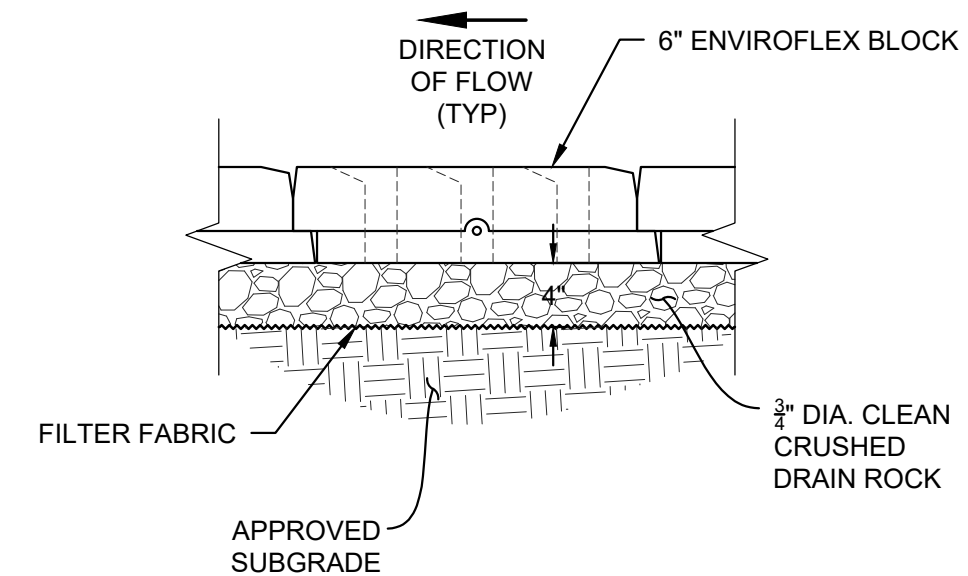
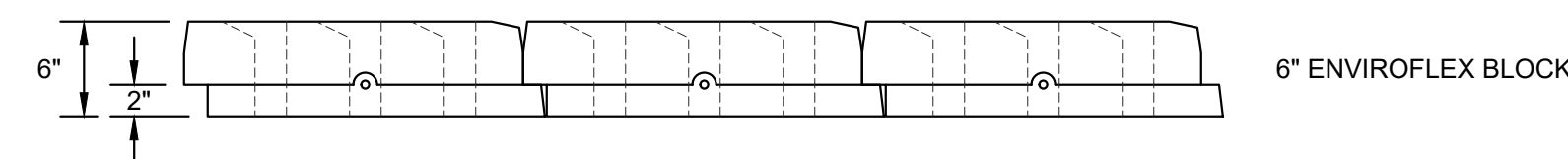
DETAIL A - CONTAINMENT EDGE
N.T.S.



TYPICAL ENVIROFLEX® LINED VERDURA WALLED CHANNEL



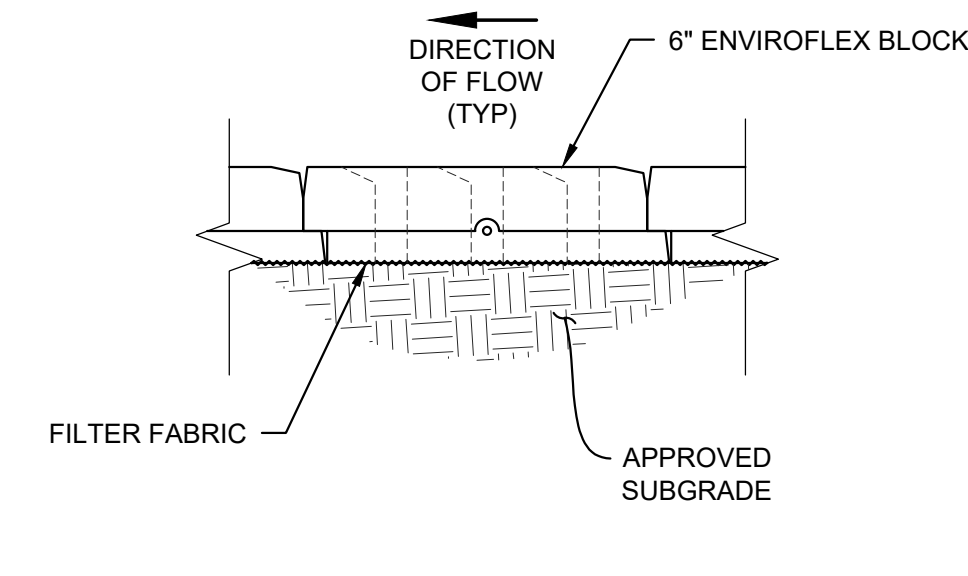
TYPICAL CUTOFF WALL DETAIL
N.T.S.



TYPICAL SECTION
(W/ 4" DRAINAGE LAYER)
N.T.S.

6" ENVIROFLEX DESIGN CRITERIA W/ 4" DRAINAGE LAYER		
CRITICAL SHEAR STRESS	PSF	24.8
VELOCITY LIMIT	FT/SEC	23.3

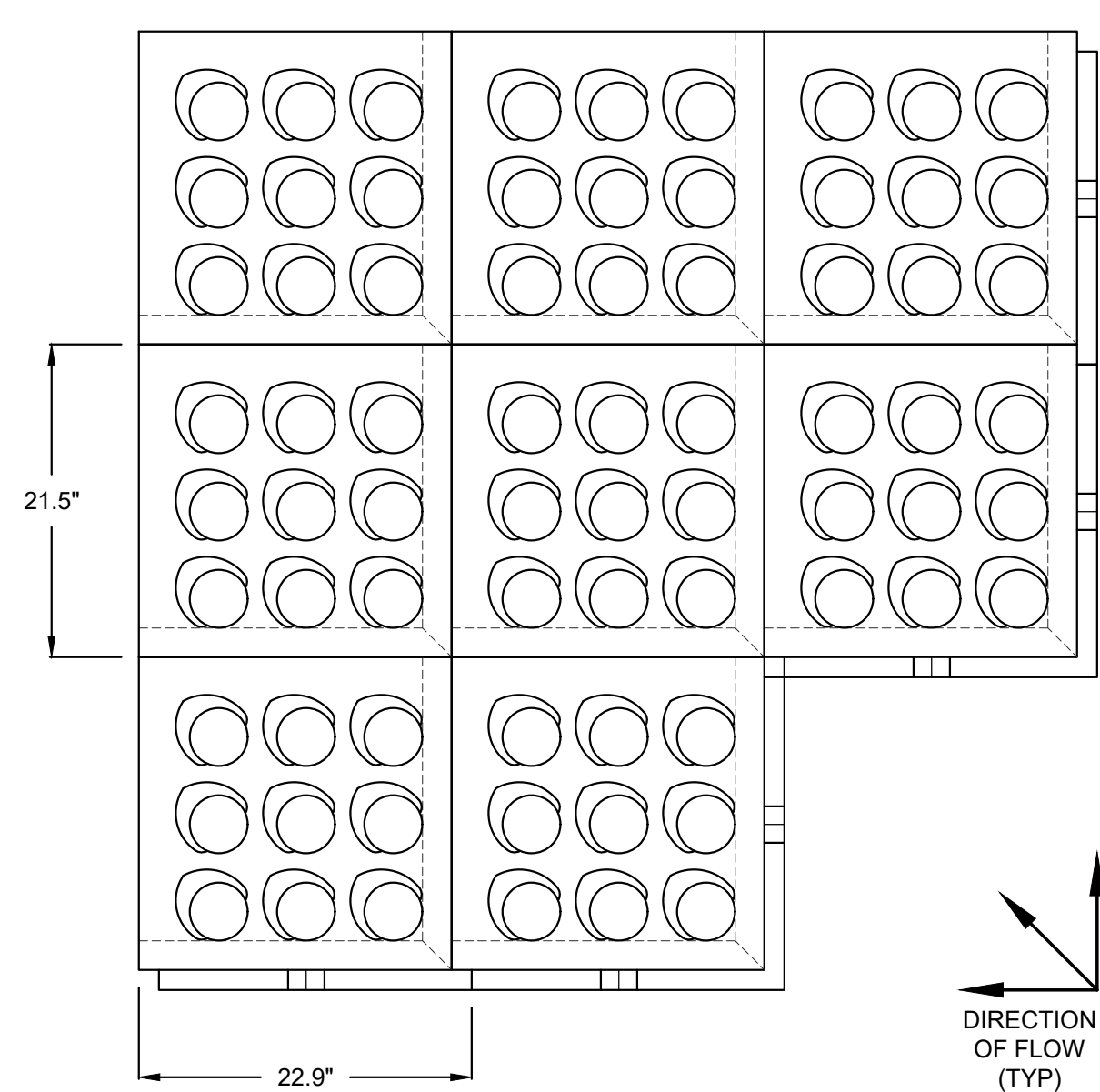
NO CONNECTORS OR CABLES WERE USED IN THE TESTING FOR THE VALUES LISTED ABOVE.



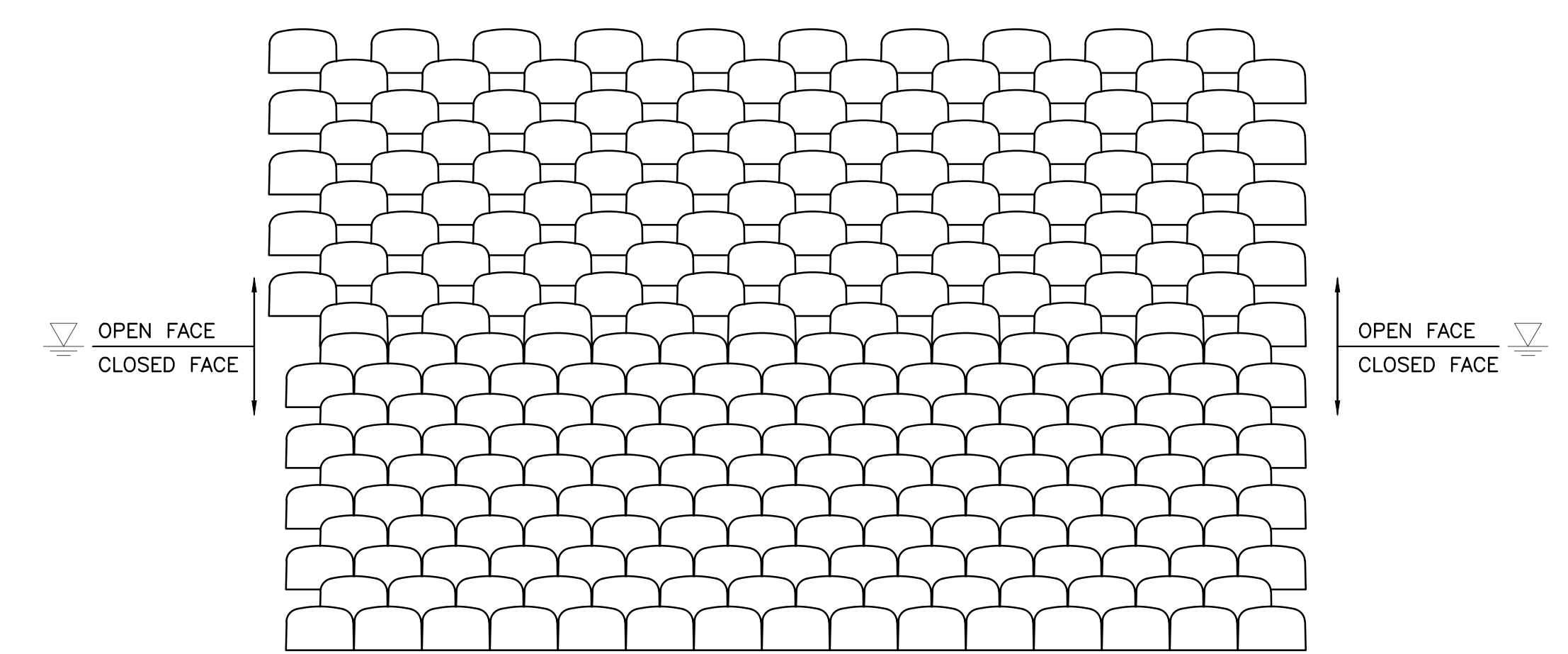
TYPICAL SECTION
(W/ NO DRAINAGE LAYER)
N.T.S.

6" ENVIROFLEX DESIGN CRITERIA W/ NO DRAINAGE LAYER		
CRITICAL SHEAR STRESS	PSF	8.6
VELOCITY LIMIT	FT/SEC	12.1

NO CONNECTORS OR CABLES WERE USED IN THE TESTING FOR THE VALUES LISTED ABOVE.



ENVIROFLEX® BLOCK DETAILS
N.T.S.



VERDURA® FRONT OF WALL DETAIL
N.T.S.