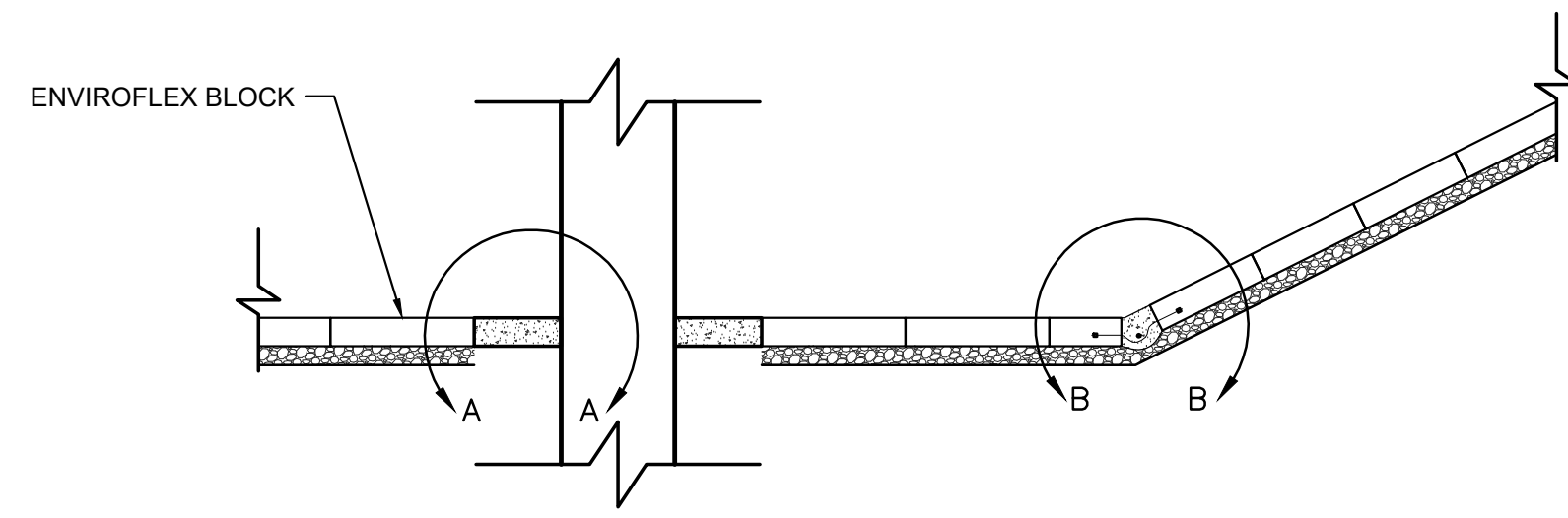


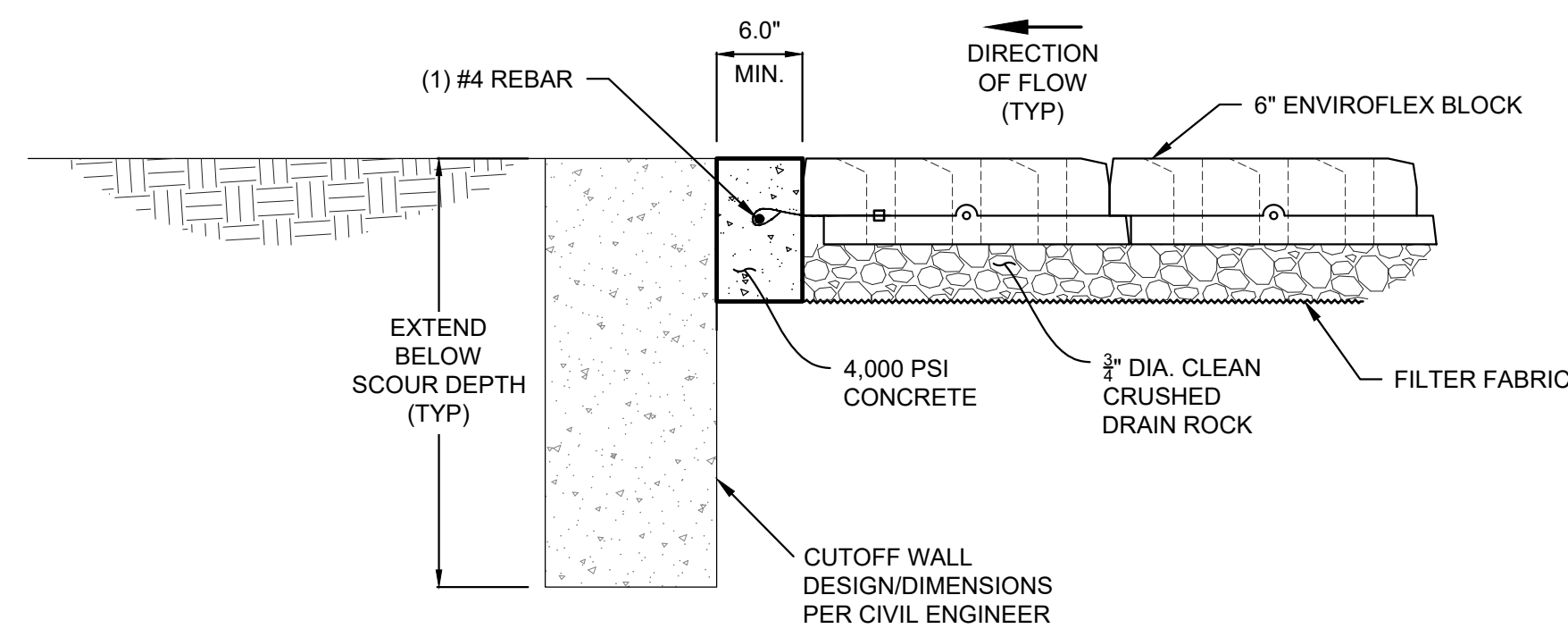
ENVIROFLEX® - CHANNEL SECTION AT BRIDGE PIER OR STRUCTURE

TAPERED, VERTICALLY INTERLOCKING ARTICULATING CONCRETE BLOCK (ACB) SYSTEM



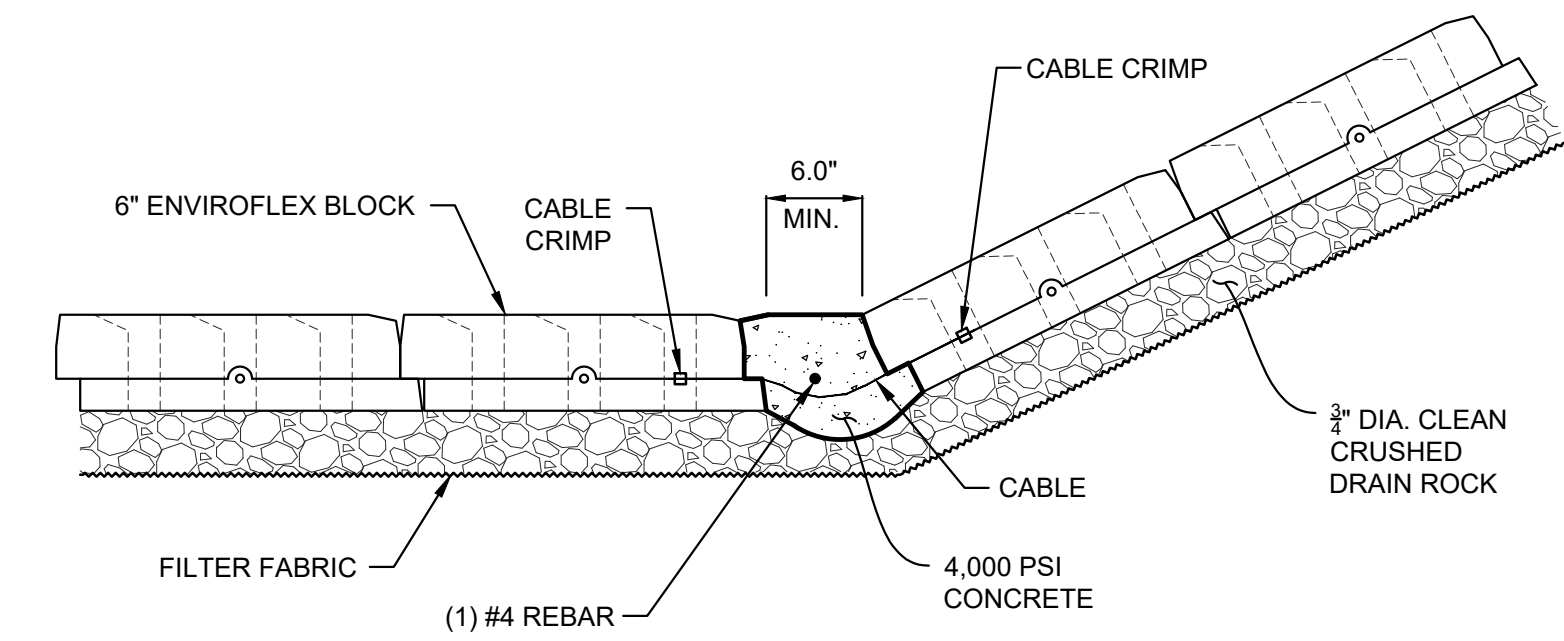
TYPICAL ENVIROFLEX® LINED CHANNEL SECTION AT BRIDGE PIER/STRUCTURE

N.T.S.



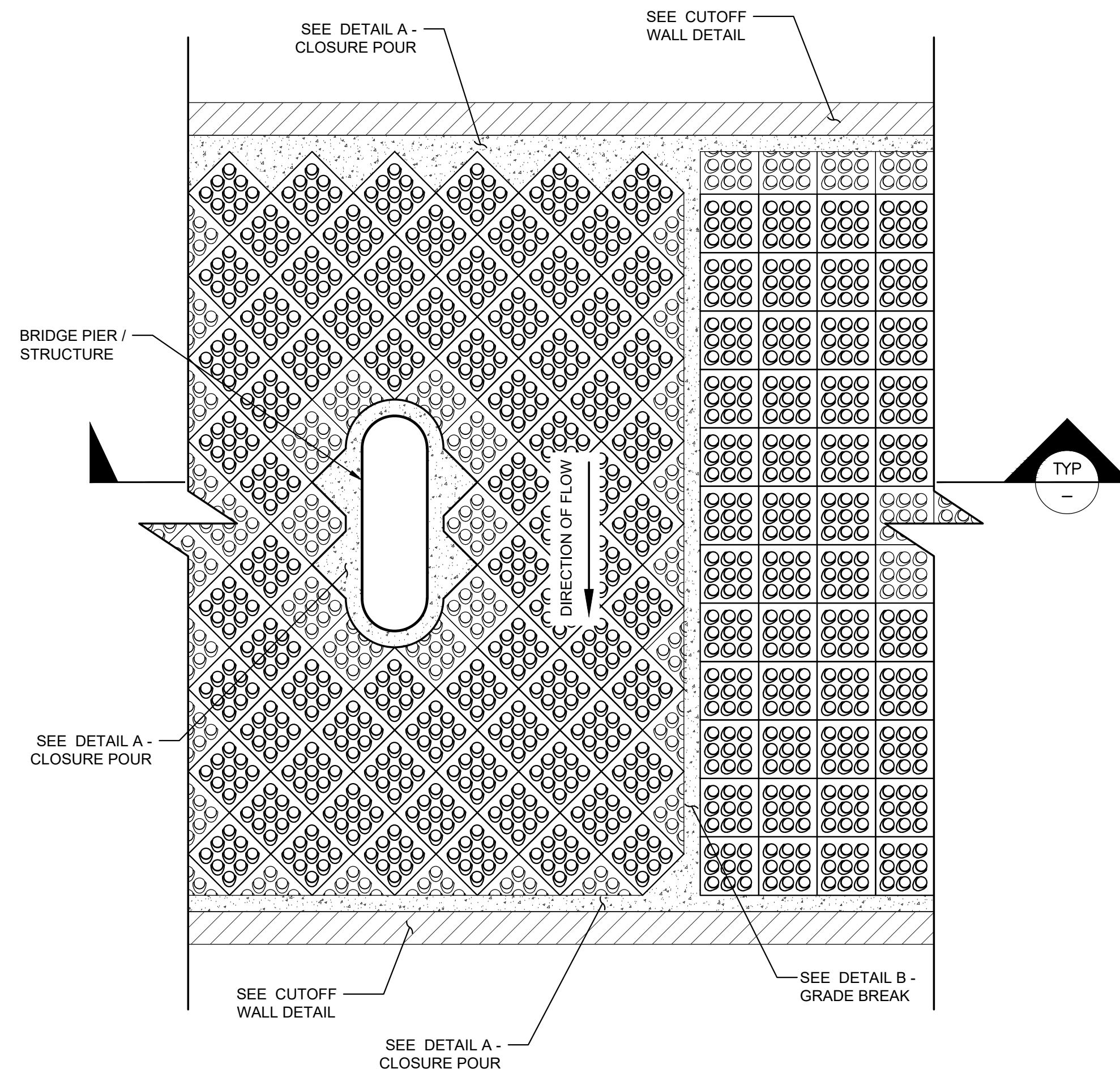
TYPICAL CUTOFF WALL DETAIL

N.T.S.



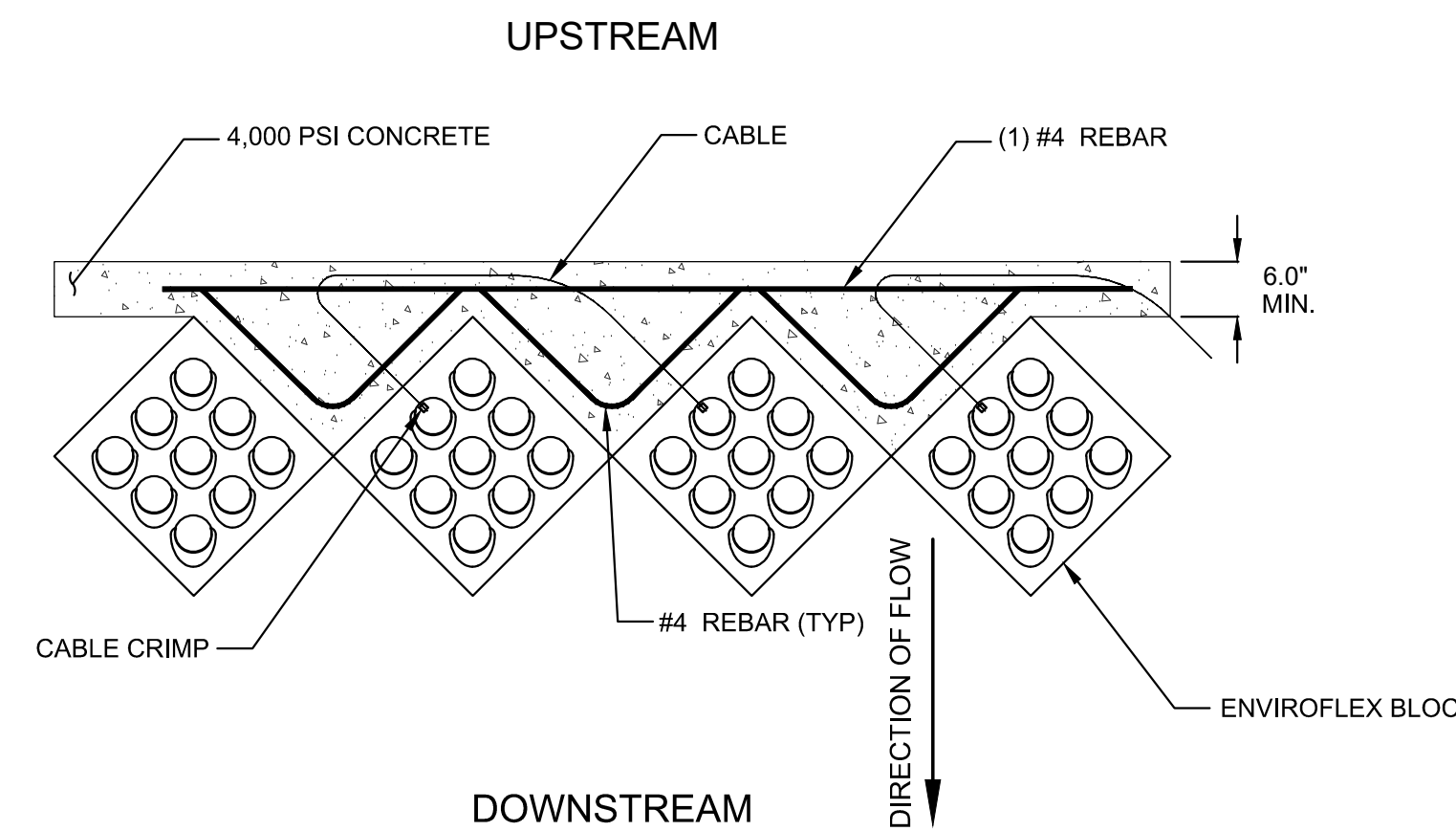
DETAIL B - GRADE BREAK

N.T.S.



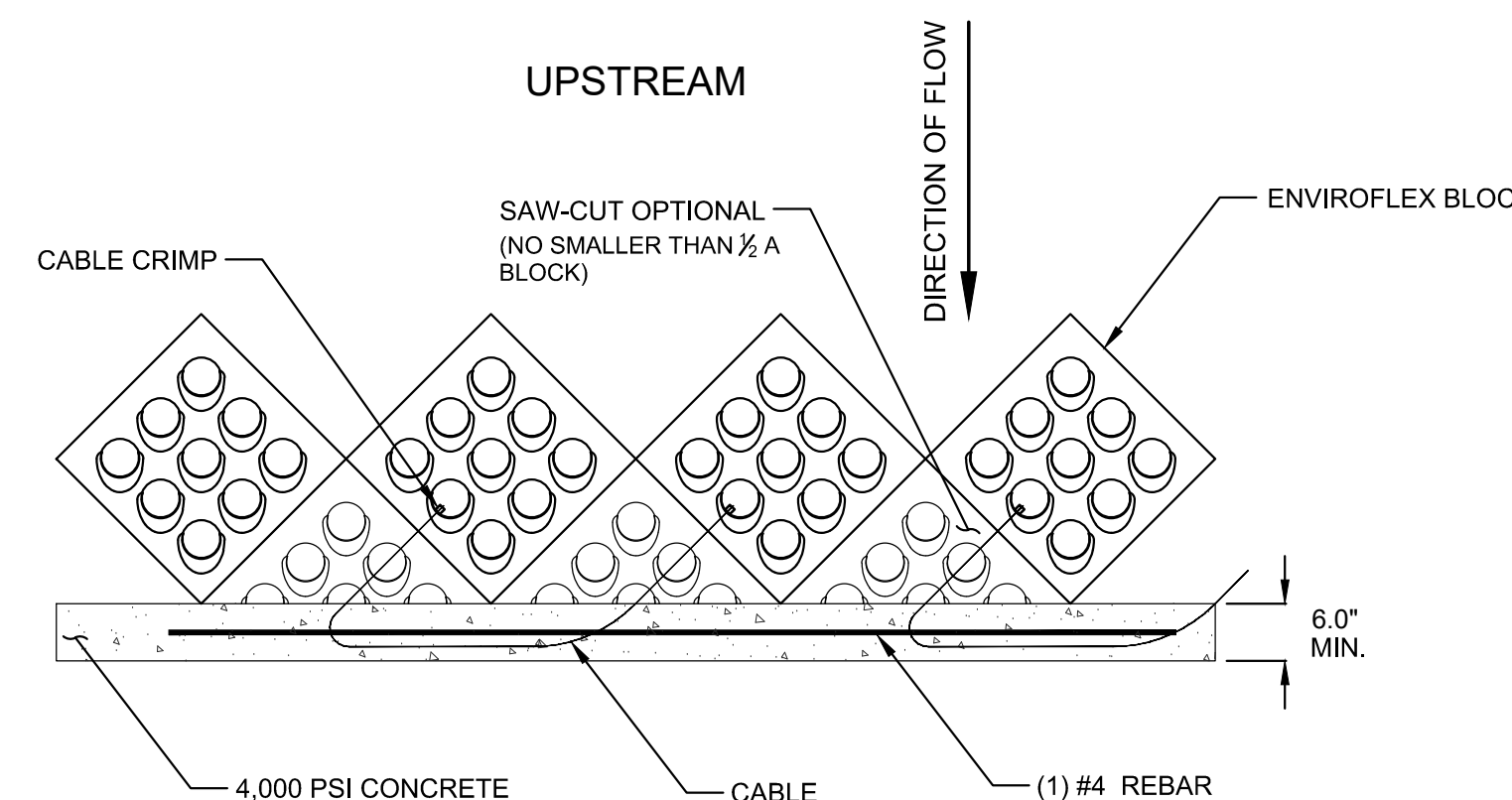
TYPICAL ENVIROFLEX® LINED CHANNEL AT BRIDGE PIER/STRUCTURE

N.T.S.



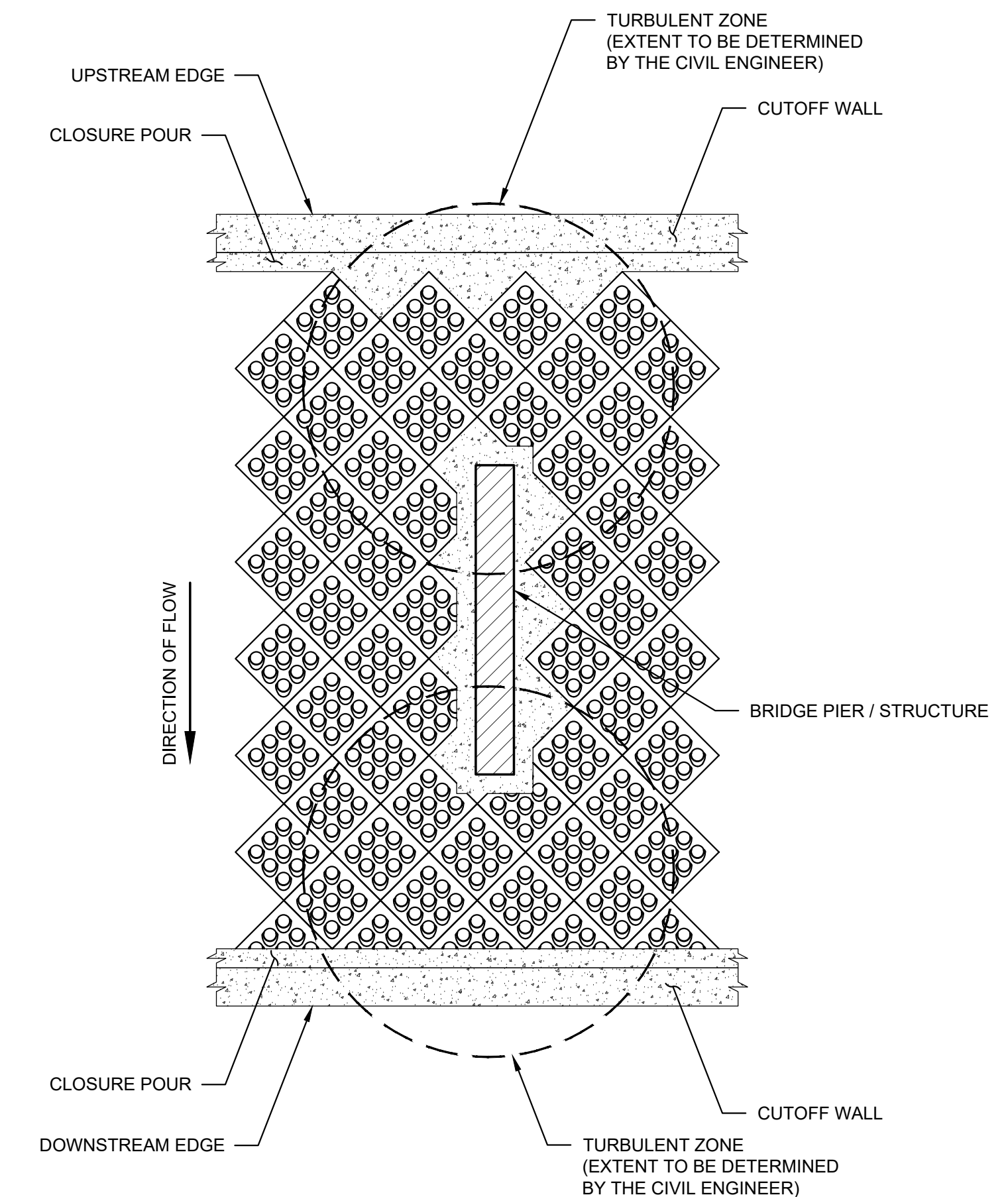
DIAGONAL BLOCK TO UPSTREAM CONCRETE EDGE DETAIL

N.T.S.



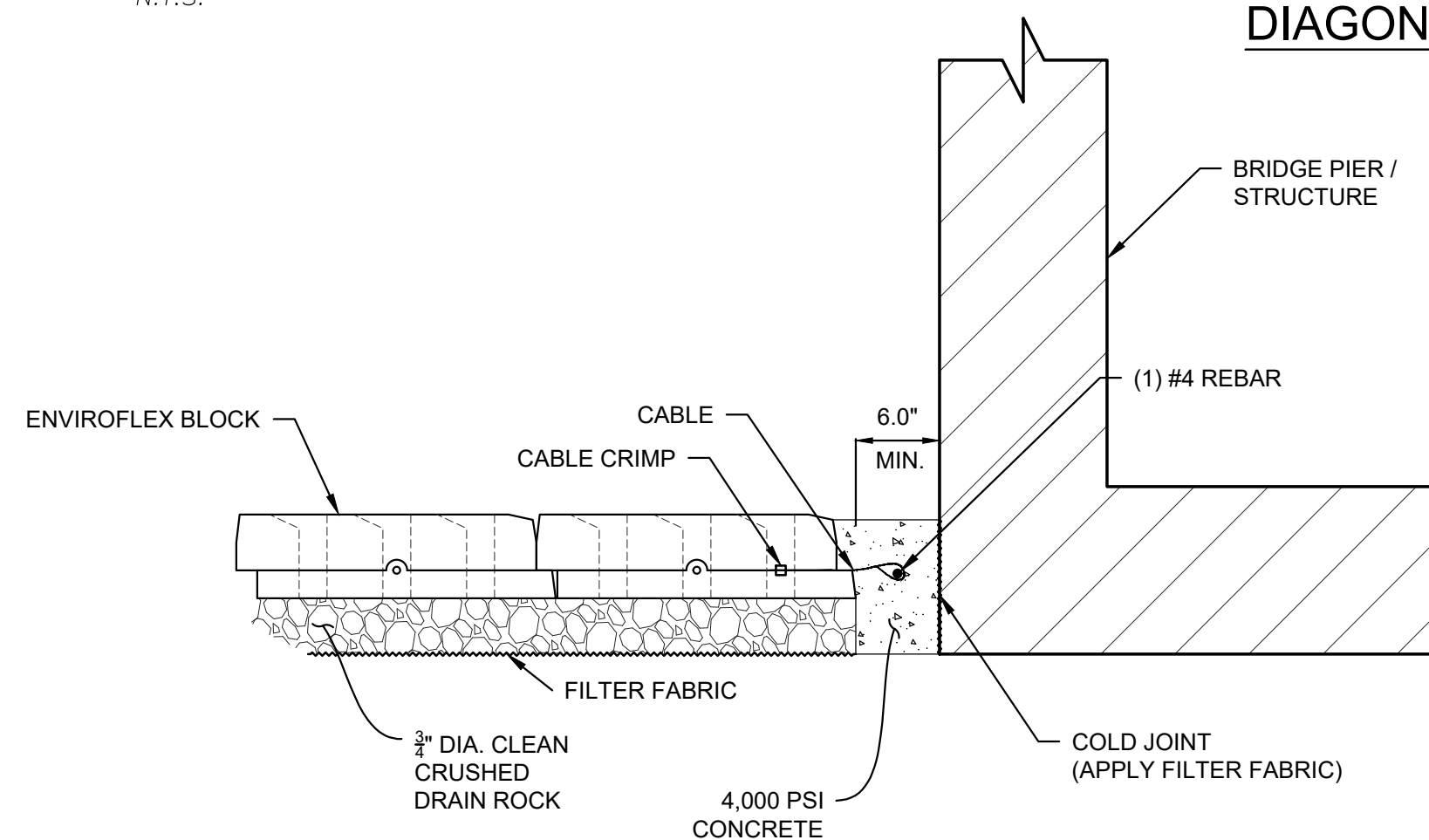
DIAGONAL BLOCK TO DOWNSTREAM CONCRETE EDGE DETAIL

N.T.S.



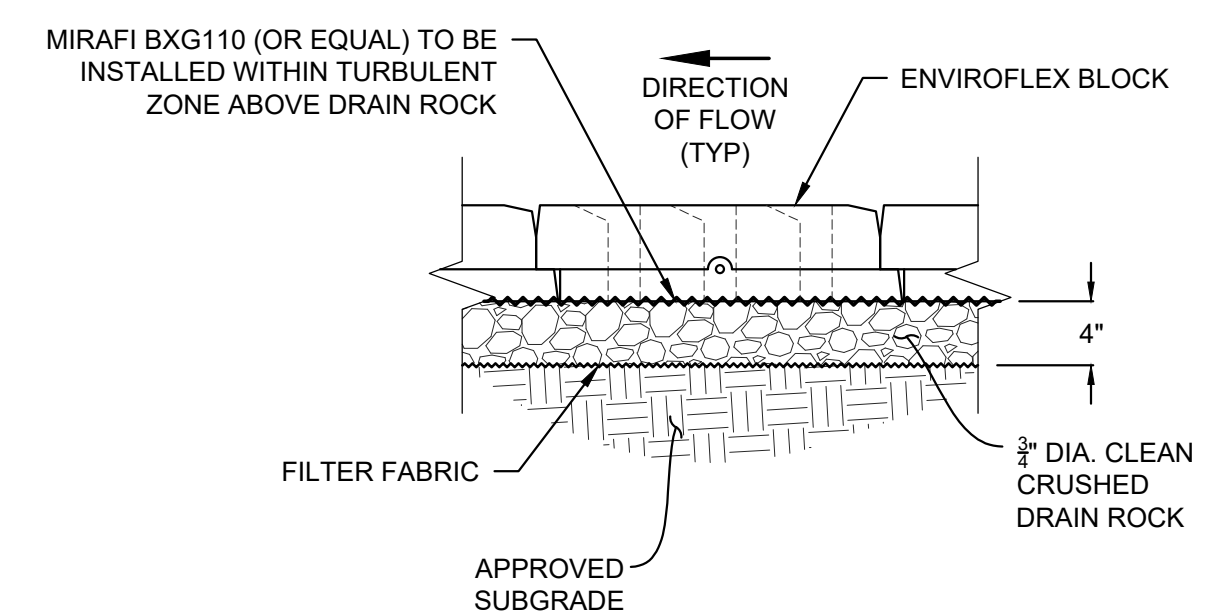
TURBULENT ZONE DETAIL AT BRIDGE PIER / STRUCTURE

N.T.S.



DETAIL A - CLOSURE POUR

N.T.S.



TYPICAL TURBULENT ZONE SECTION

N.T.S.