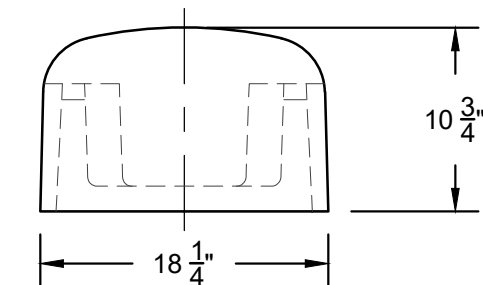
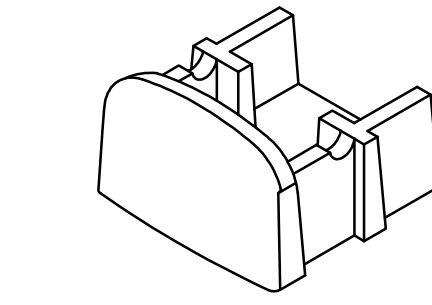


TOP VIEW

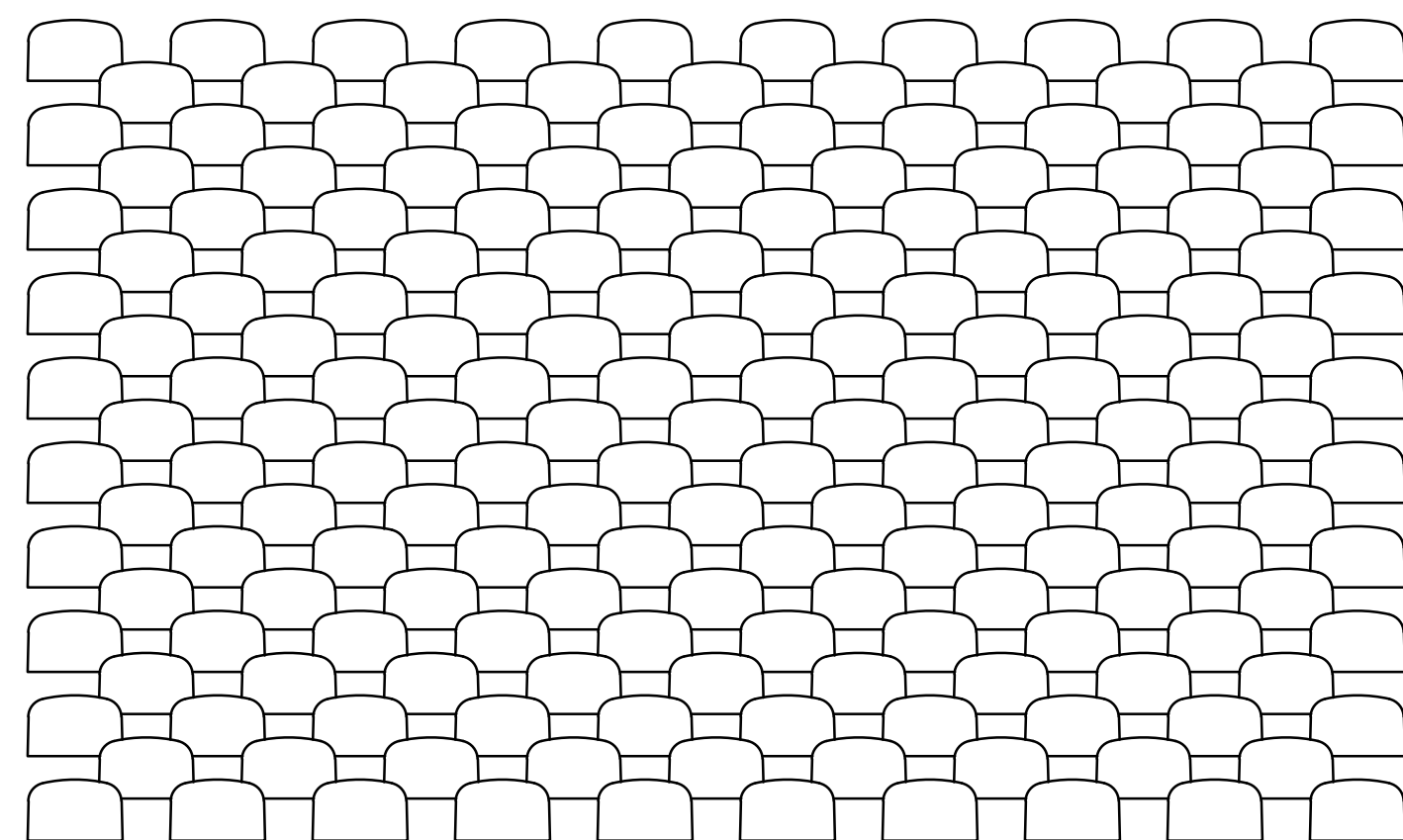


FRONT VIEW

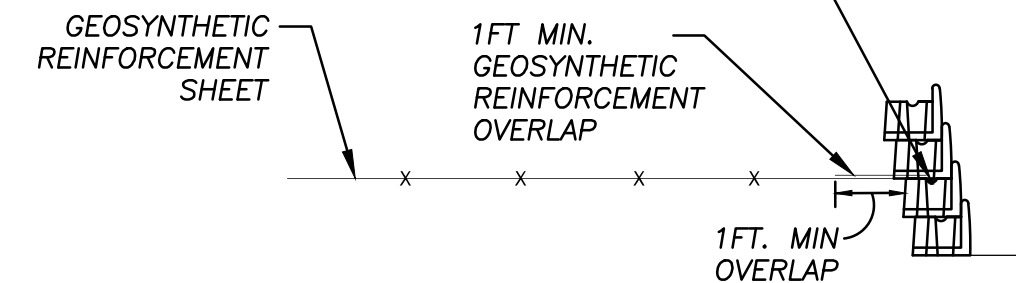


SIDE VIEW

VERDURA 40 BLOCK DETAIL

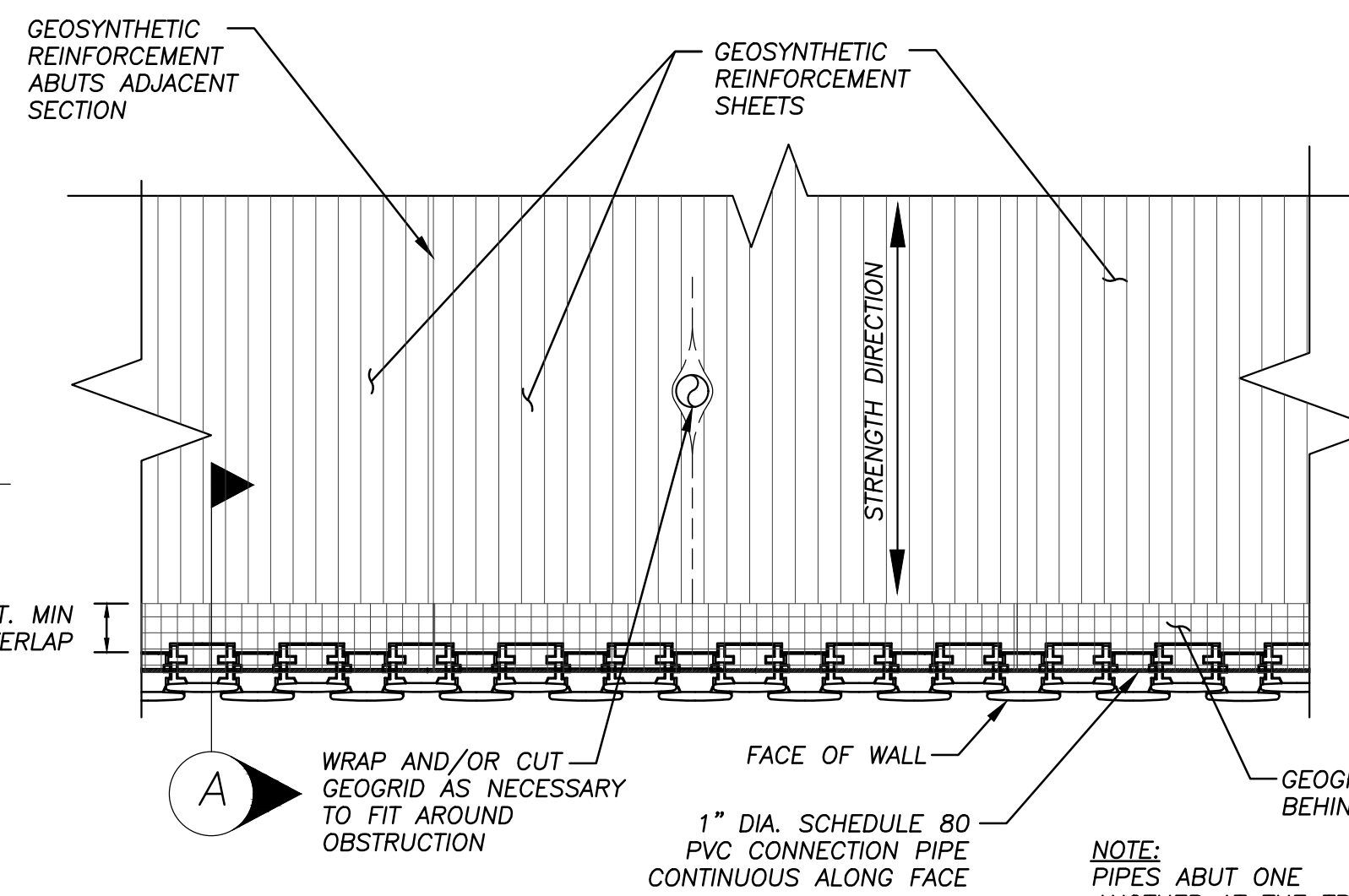


FRONT OF WALL DETAIL



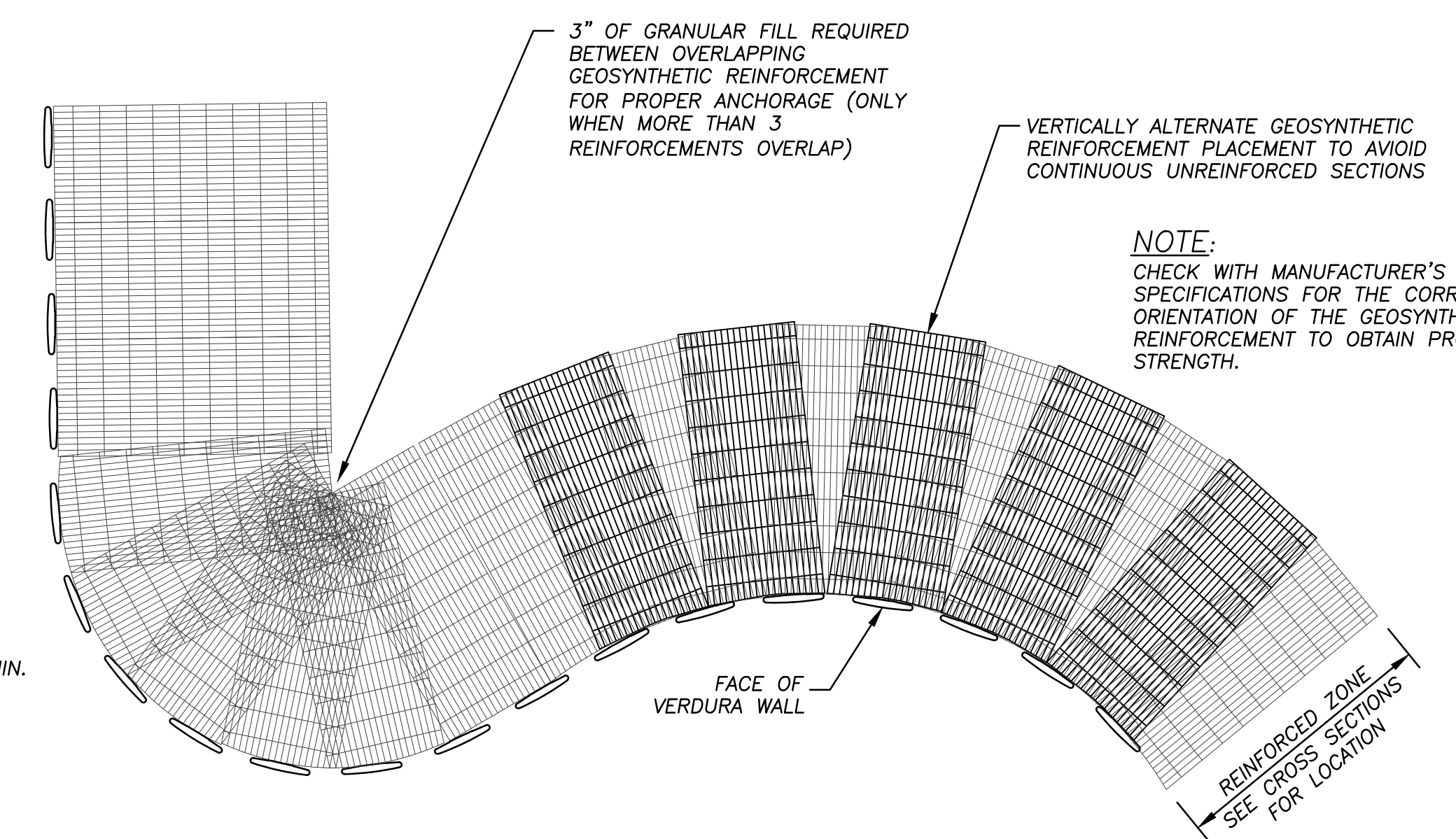
SECTION A

NOTE: GEOSYNTHETIC REINFORCEMENT OVERLAP SHALL BE ON TOP.

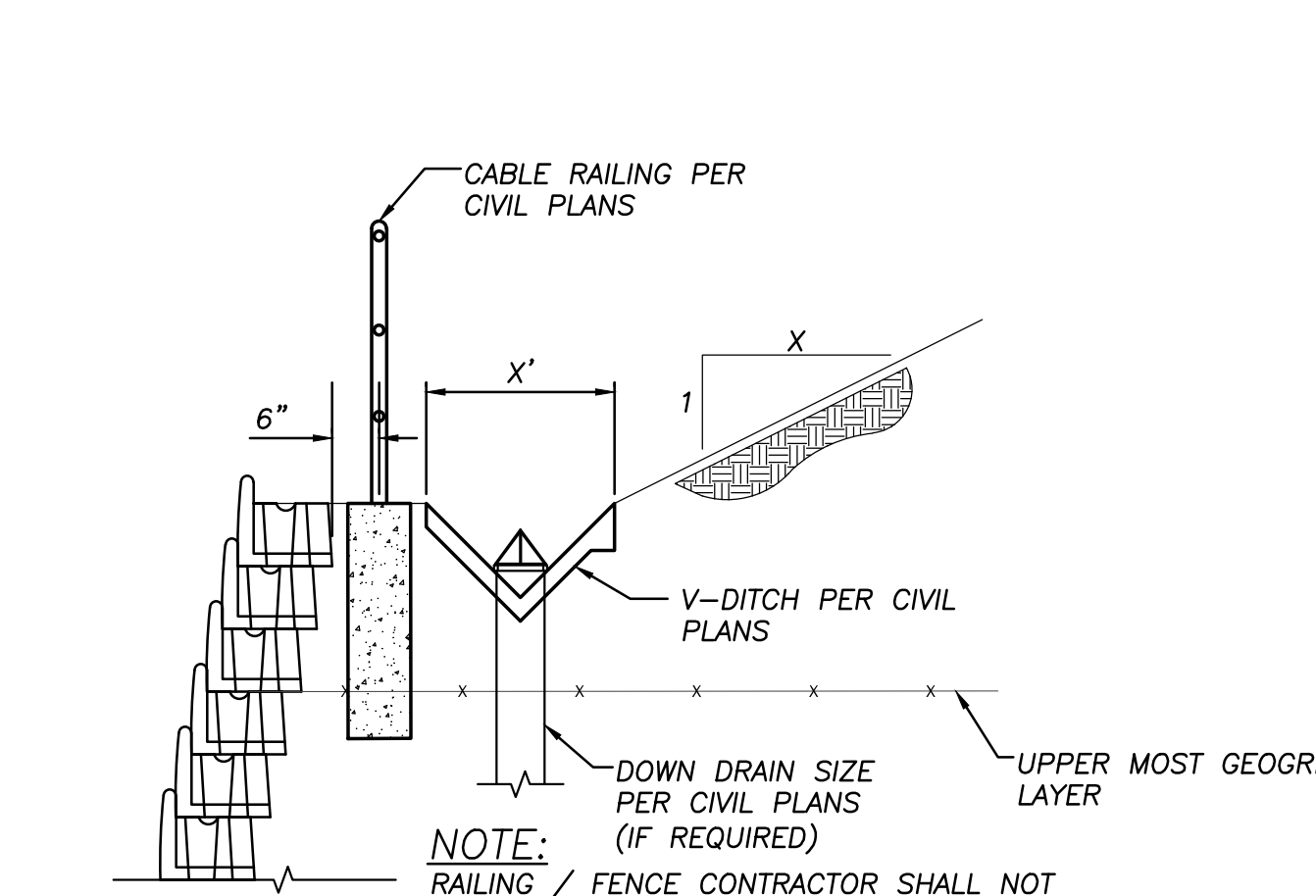


PLAN VIEW

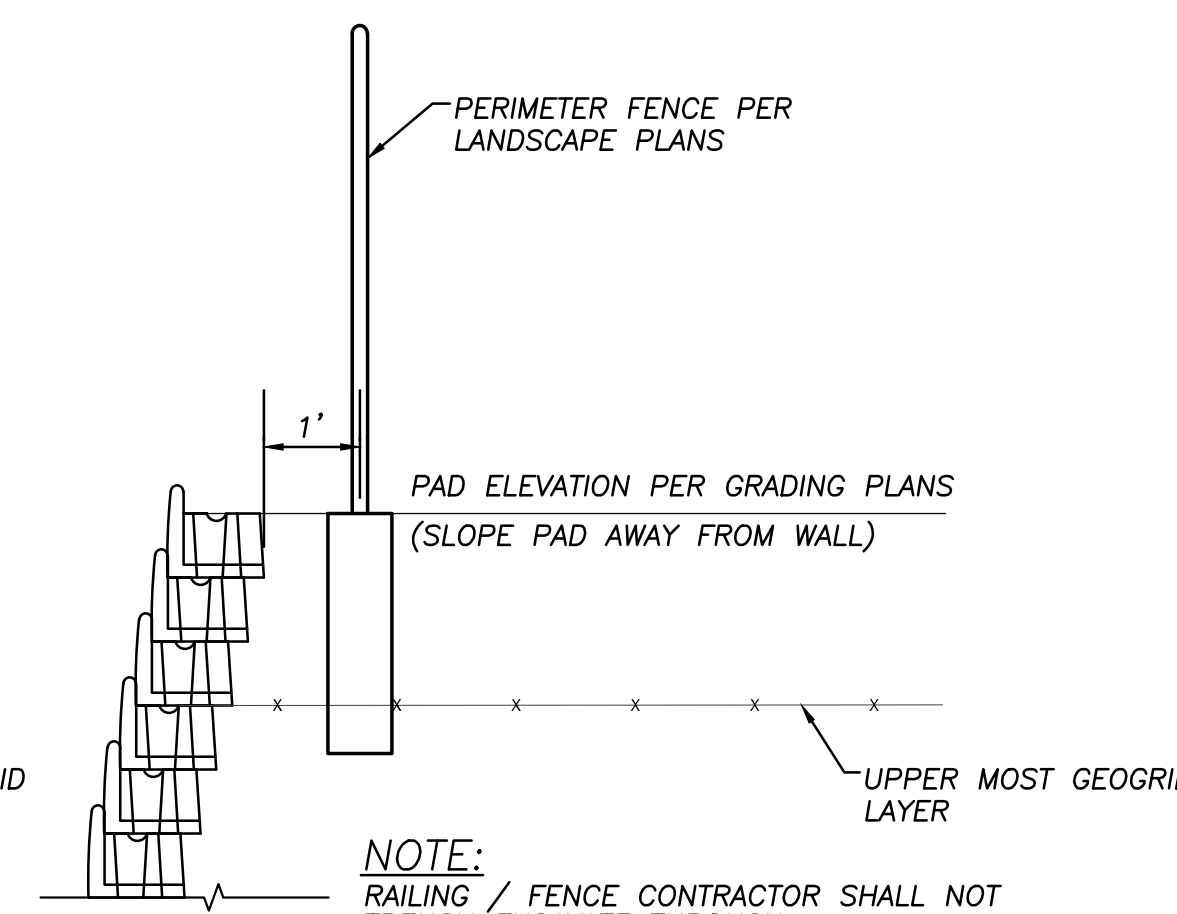
GEOGRID CONNECTION DETAIL



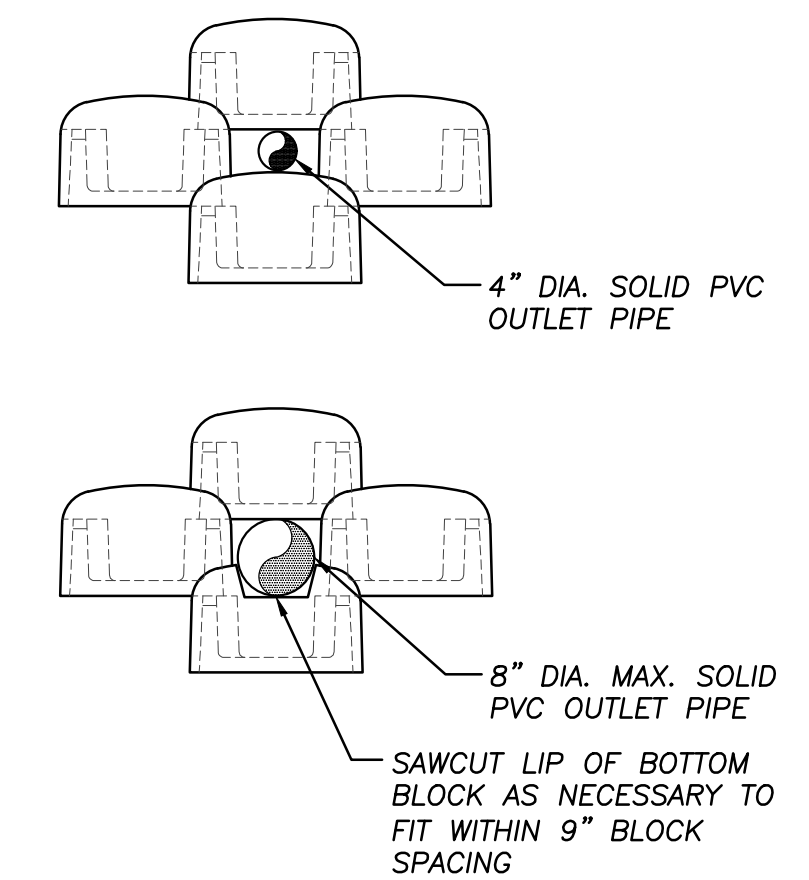
GEOGRID PLACEMENT ON CURVES DETAIL



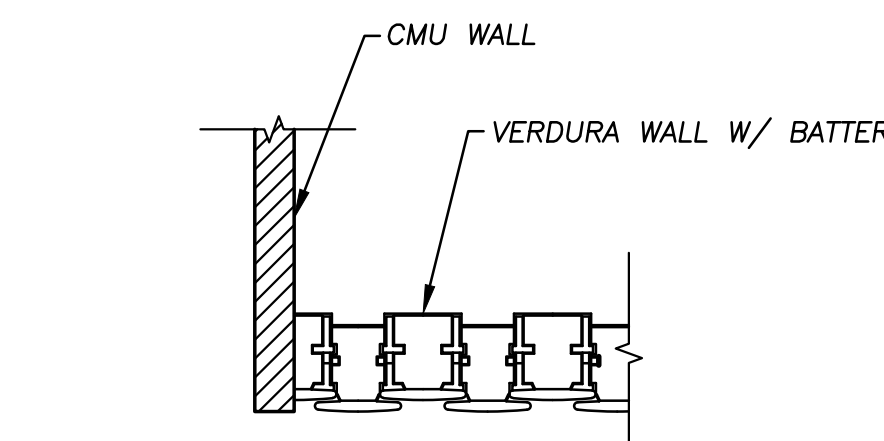
TYPICAL SLOPE CONDITION DETAIL



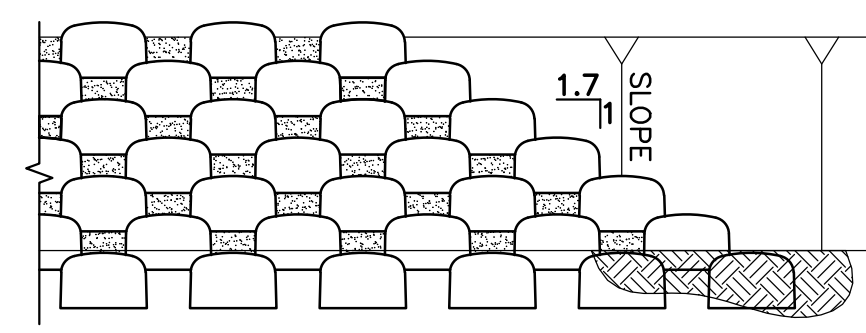
TYPICAL LEVEL CONDITION DETAIL



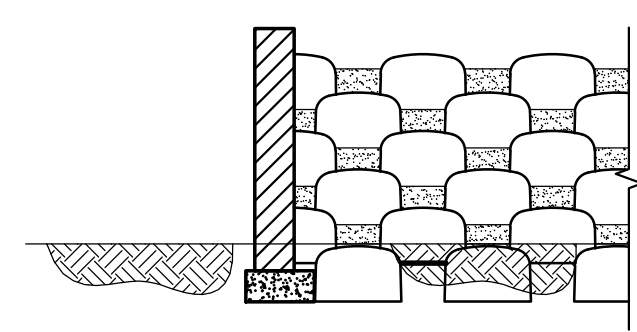
TYPICAL PENETRATION DETAIL



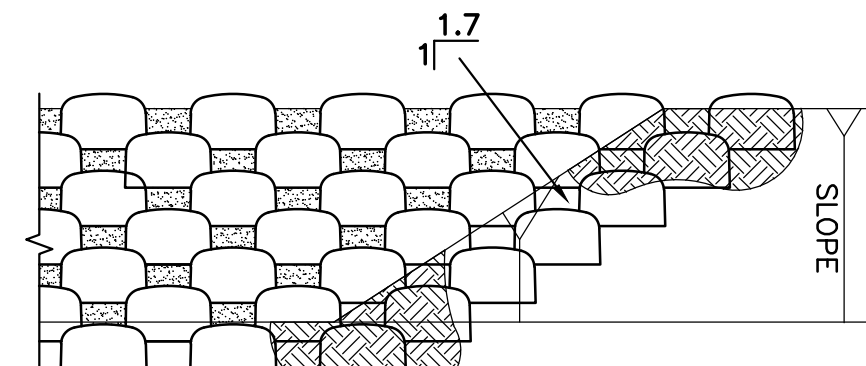
CASE A PLAN VIEW



CASE B

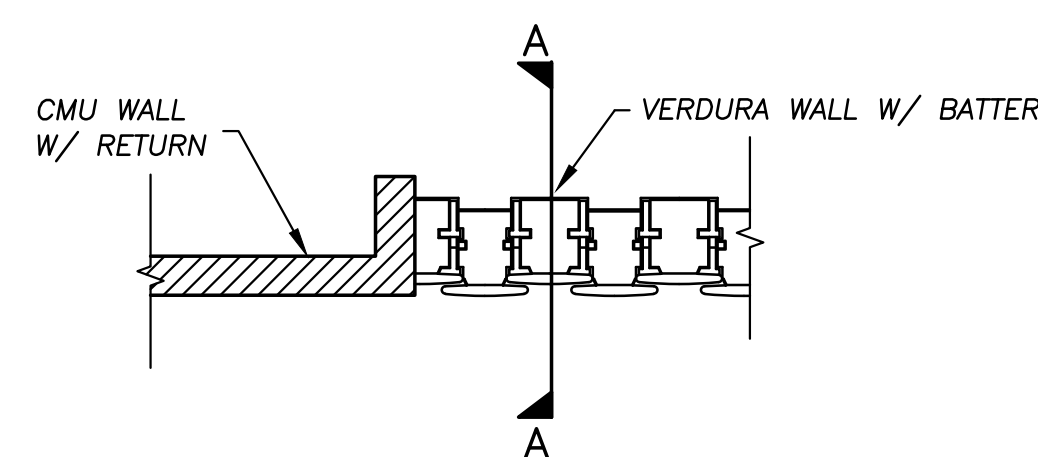


CASE A

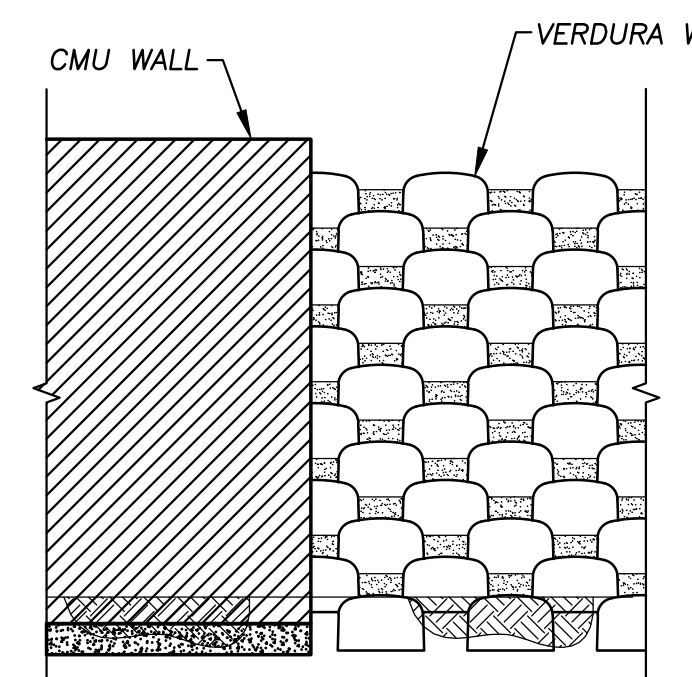


CASE C

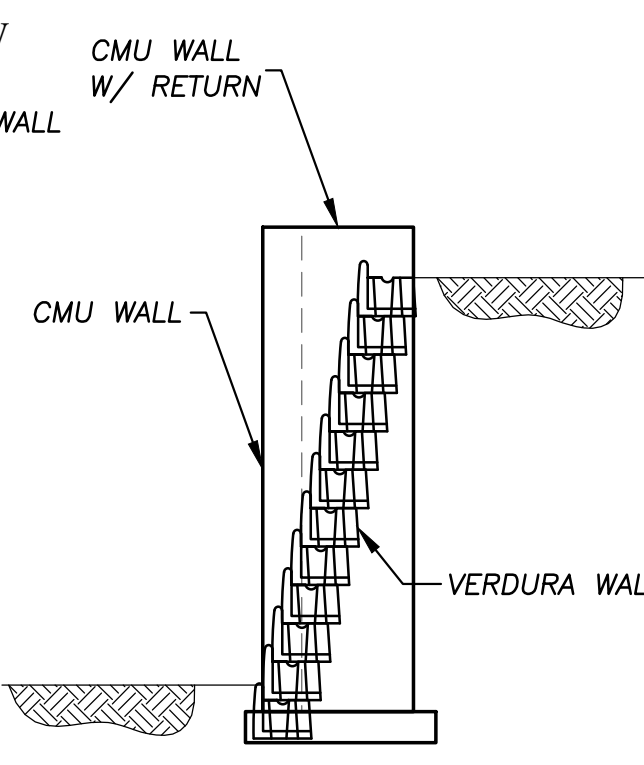
END OF WALL TRANSITION DETAIL



CASE D PLAN VIEW



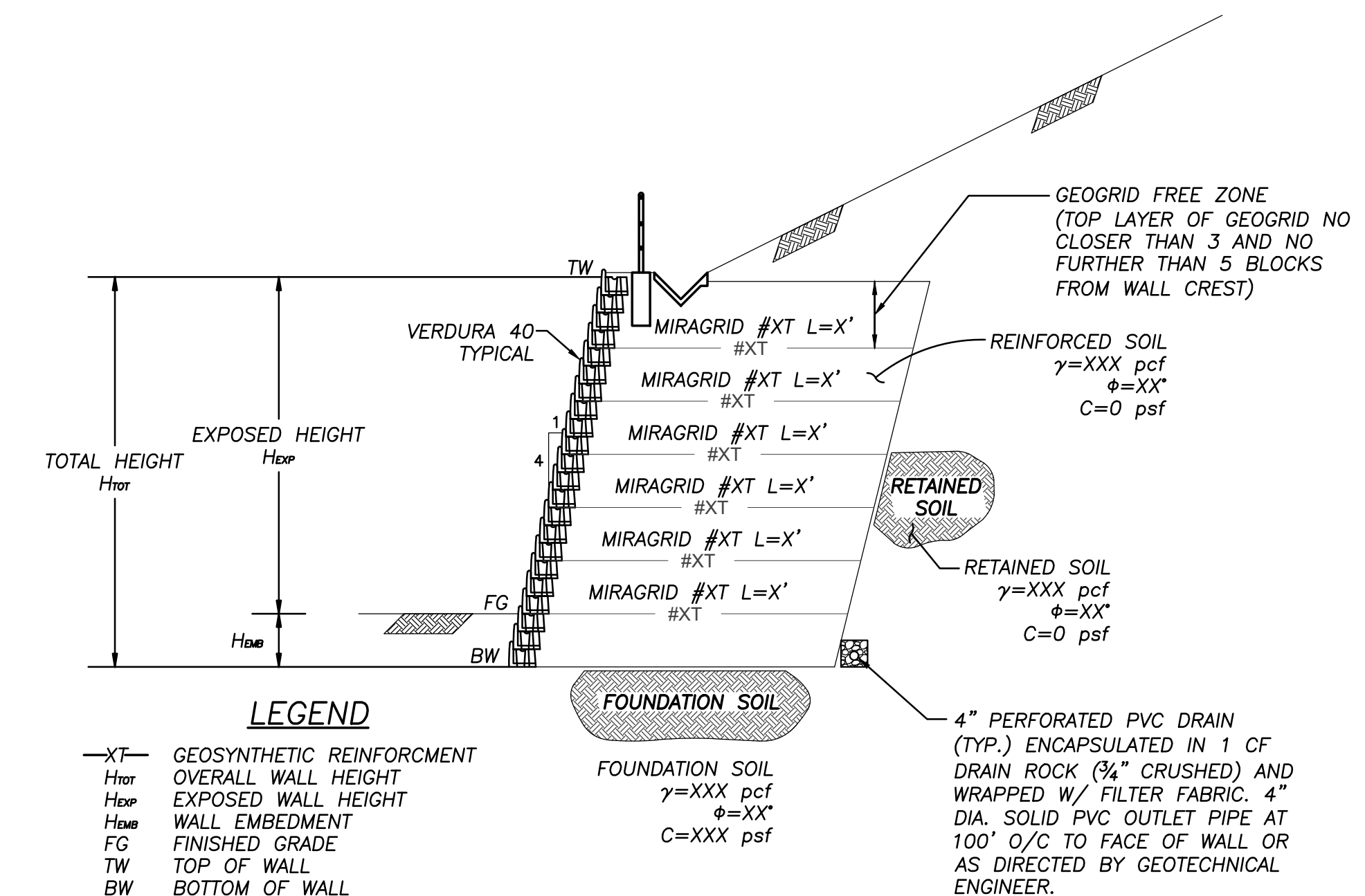
CASE D



SECTION A-A

VERDURA[®]
A Soil Retention Product

PROTECTED BY US AND INTERNATIONAL PATENTS AND TRADEMARKS
(800) 346-7995 www.soilretention.com



LEGEND

- XT- GEOSYNTHETIC REINFORCEMENT
- H_{tot} OVERALL WALL HEIGHT
- H_{exp} EXPOSED WALL HEIGHT
- H_{emb} WALL EMBEDMENT
- FG FINISHED GRADE
- TW TOP OF WALL
- BW BOTTOM OF WALL

- FOUNDATION SOIL
- FOUNDATION SOIL
- γ=XXX pcf
- φ=XX°
- C=XXX psf
- REINFORCED SOIL
- γ=XXX pcf
- φ=XX°
- C=0 psf
- RETAINED SOIL
- RETAINED SOIL
- γ=XXX pcf
- φ=XX°
- C=0 psf
- 4" PERFORATED PVC DRAIN (TYP.) ENCAPSULATED IN 1 CF DRAIN ROCK (3/4" CRUSHED) AND WRAPPED W/ FILTER FABRIC. 4" DIA. SOLID PVC OUTLET PIPE AT 100' O/C TO FACE OF WALL OR AS DIRECTED BY GEOTECHNICAL ENGINEER.

TYPICAL CROSS SECTION DETAIL