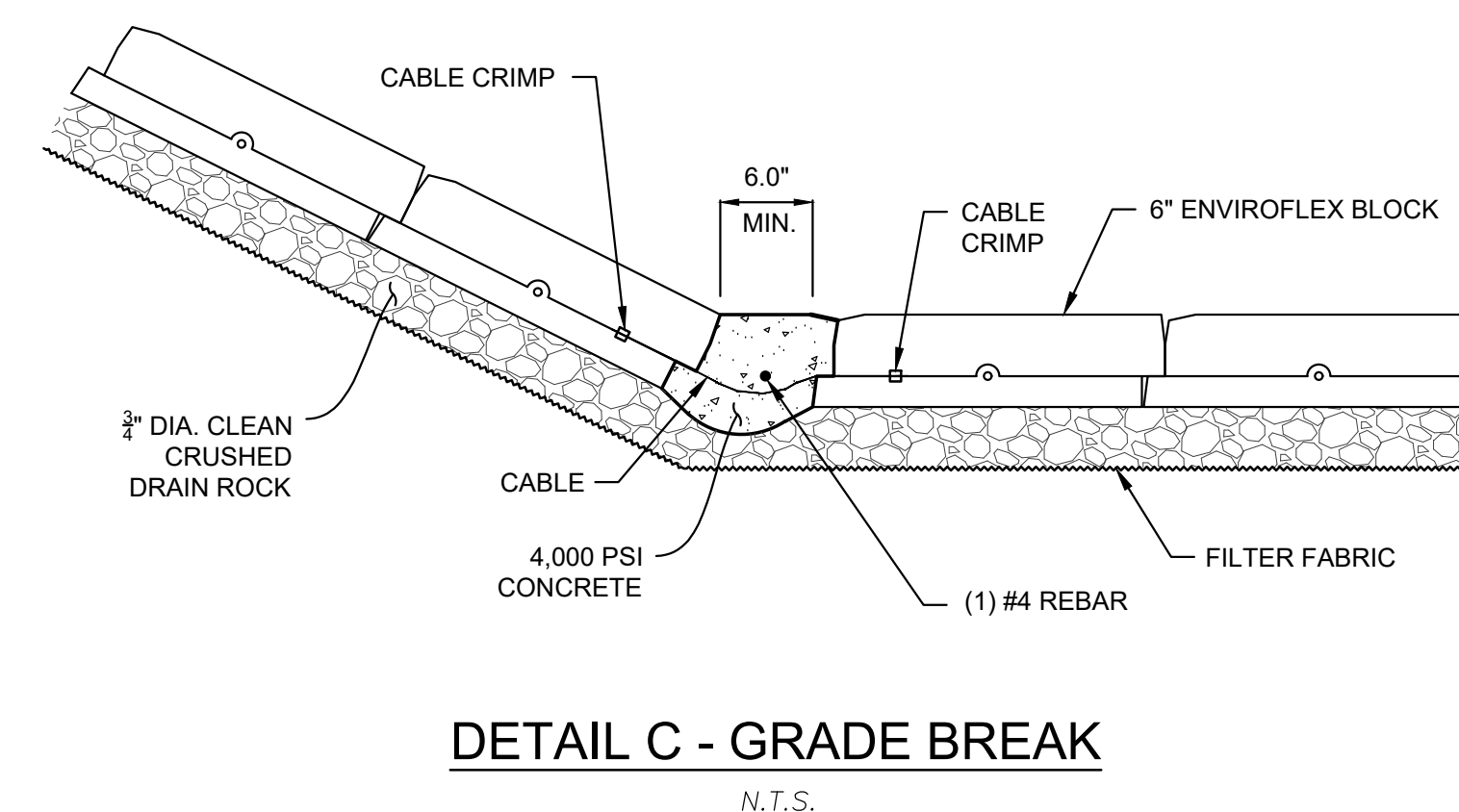
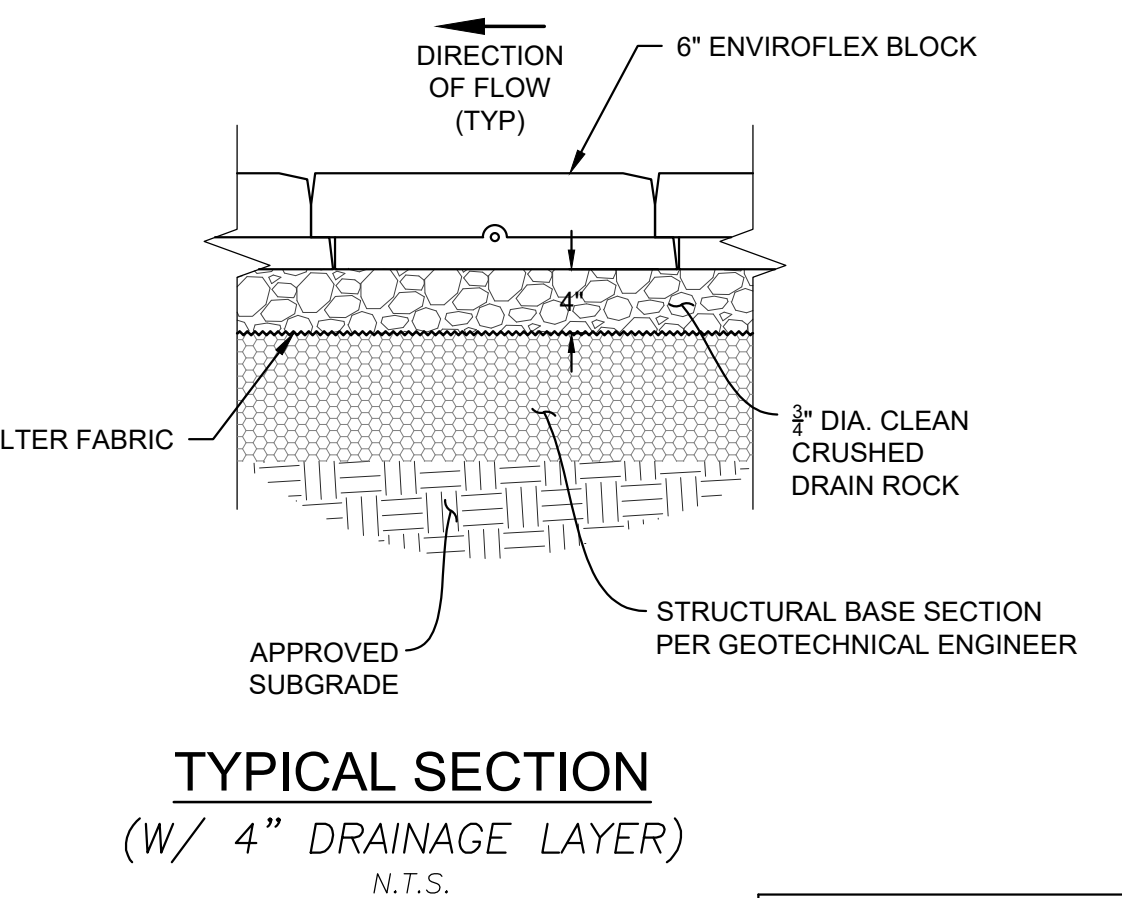
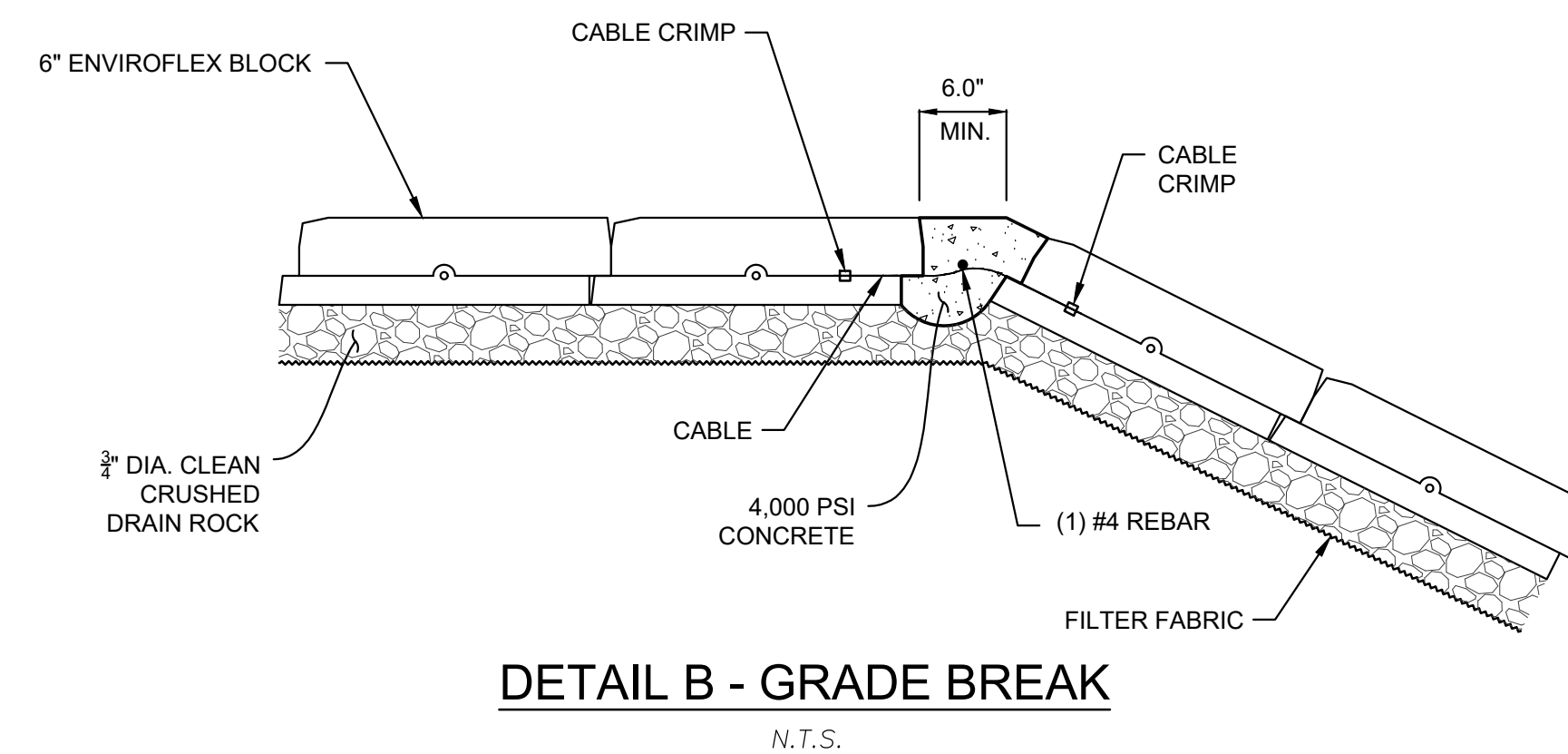
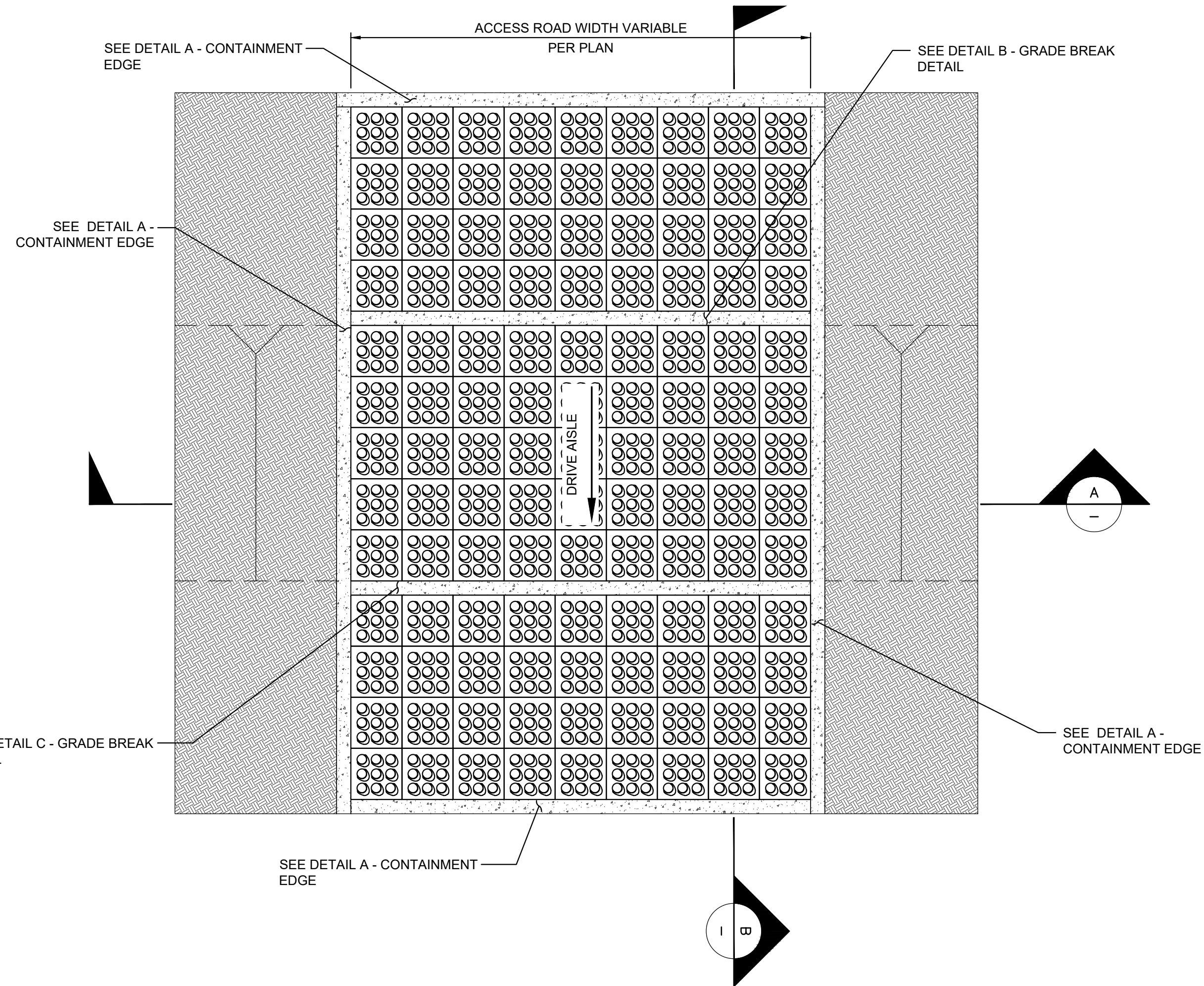
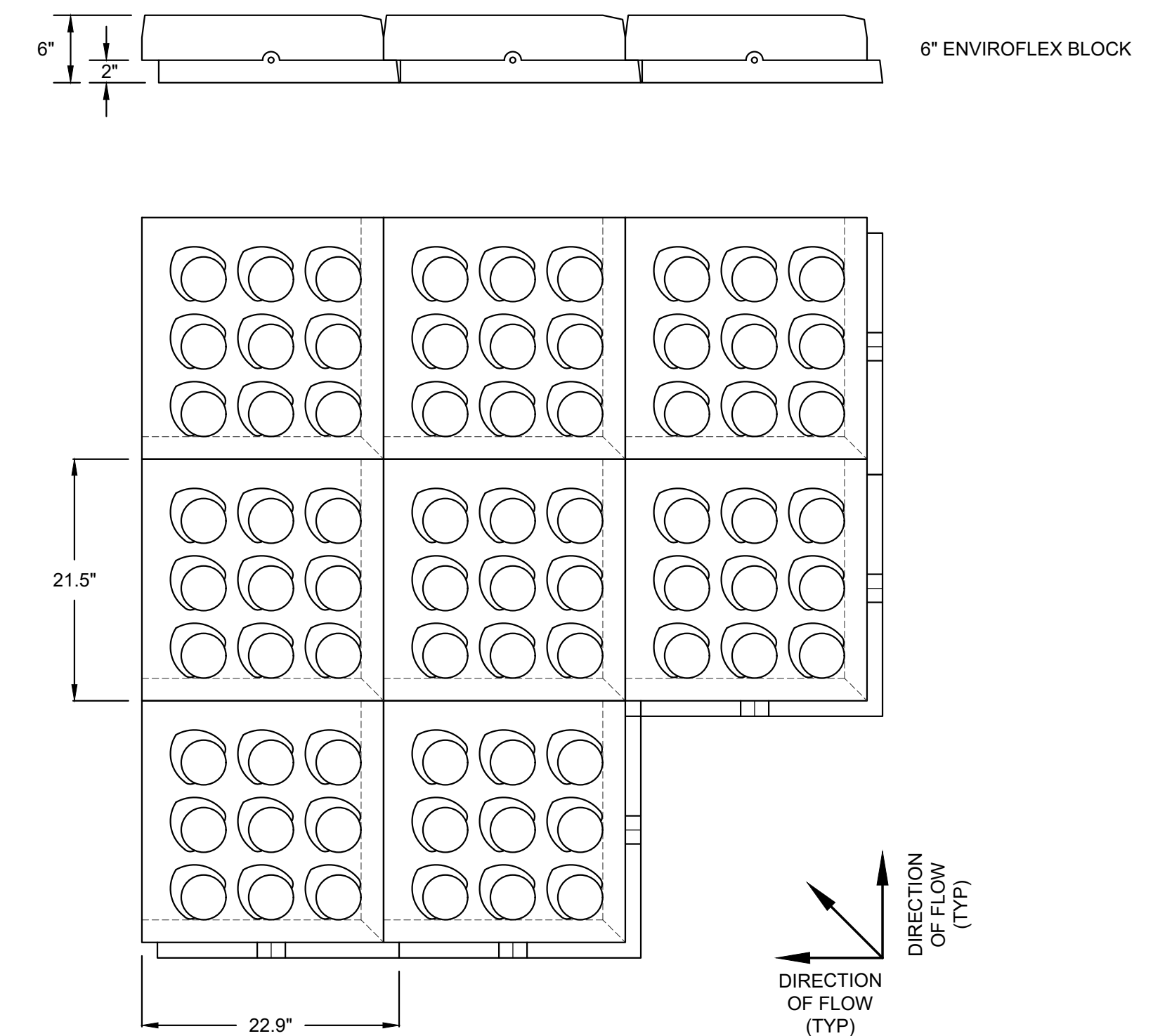
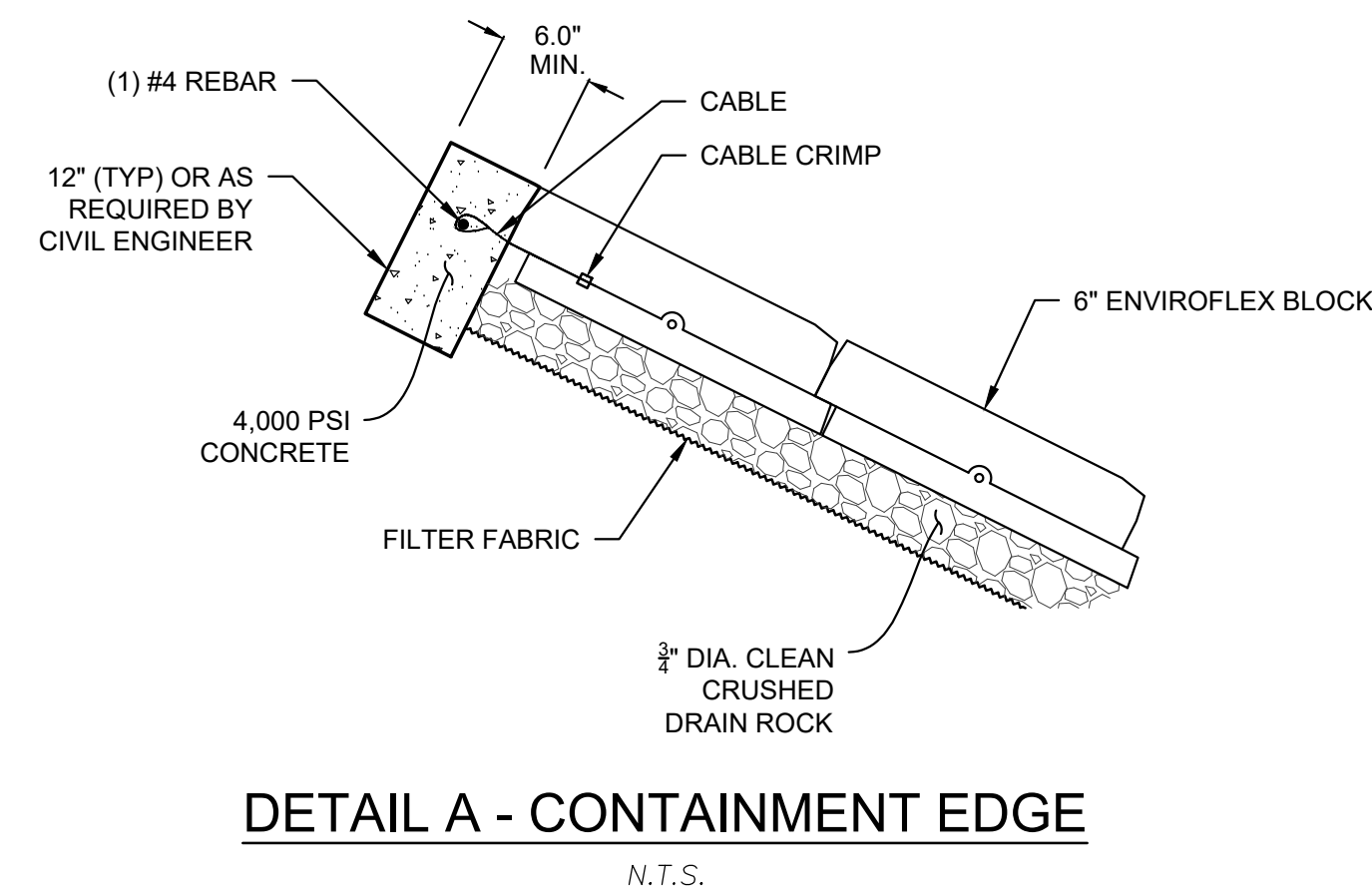
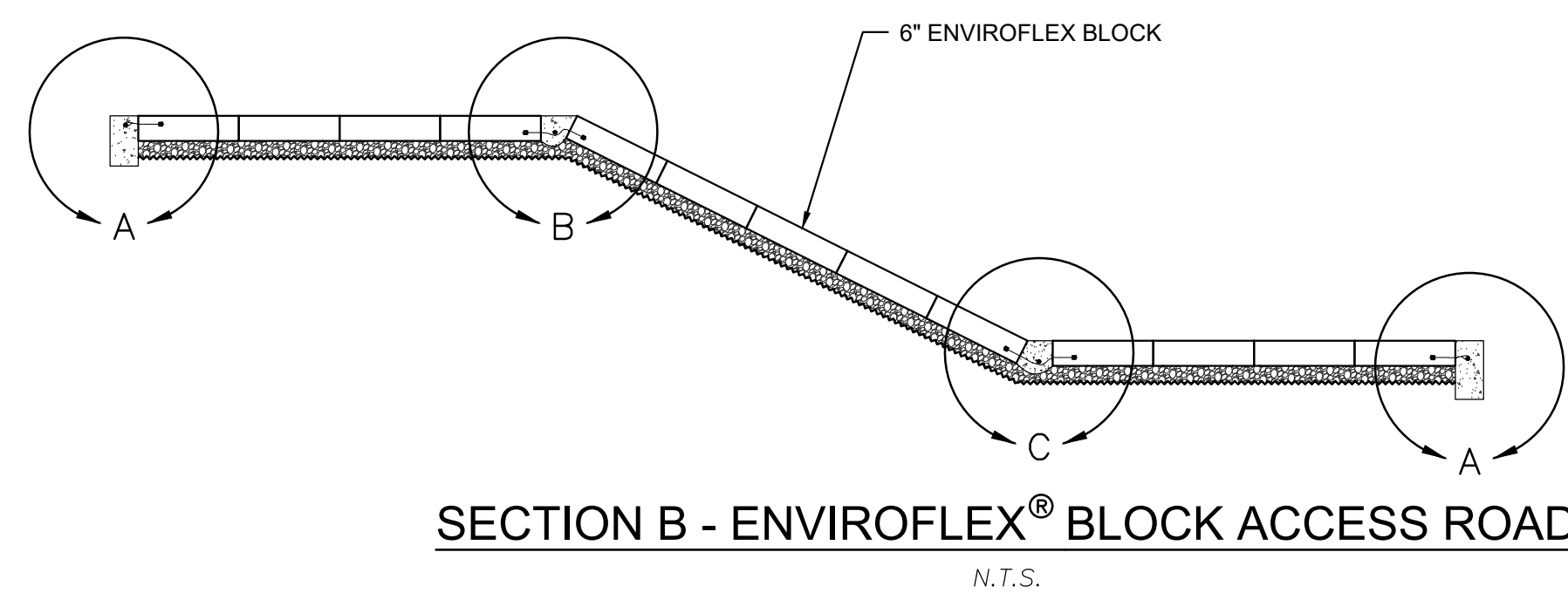
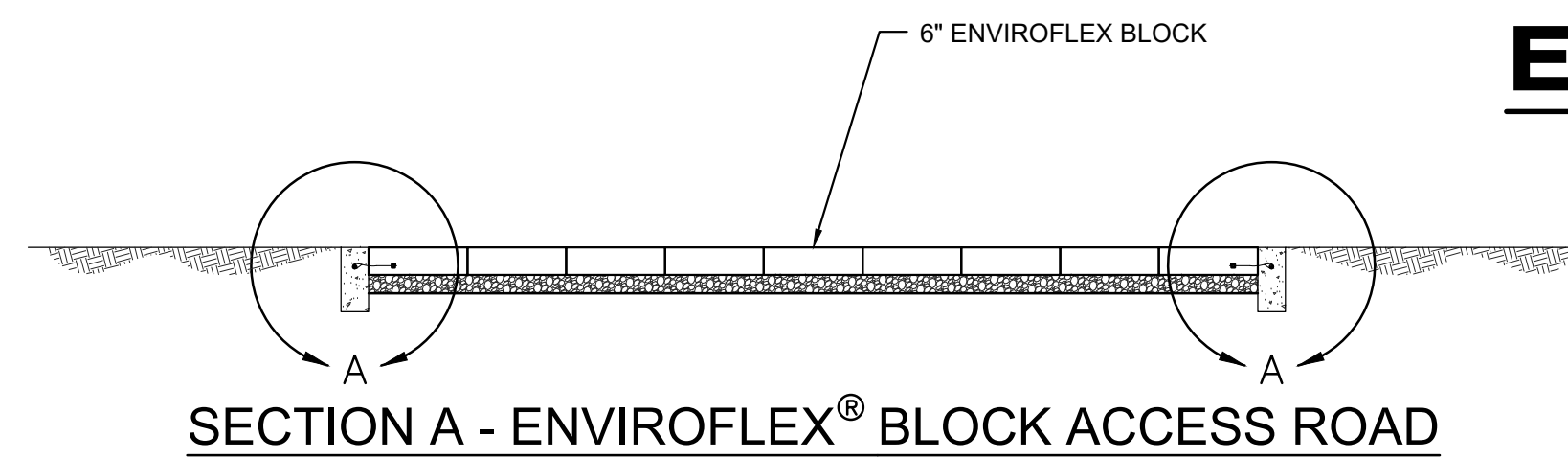


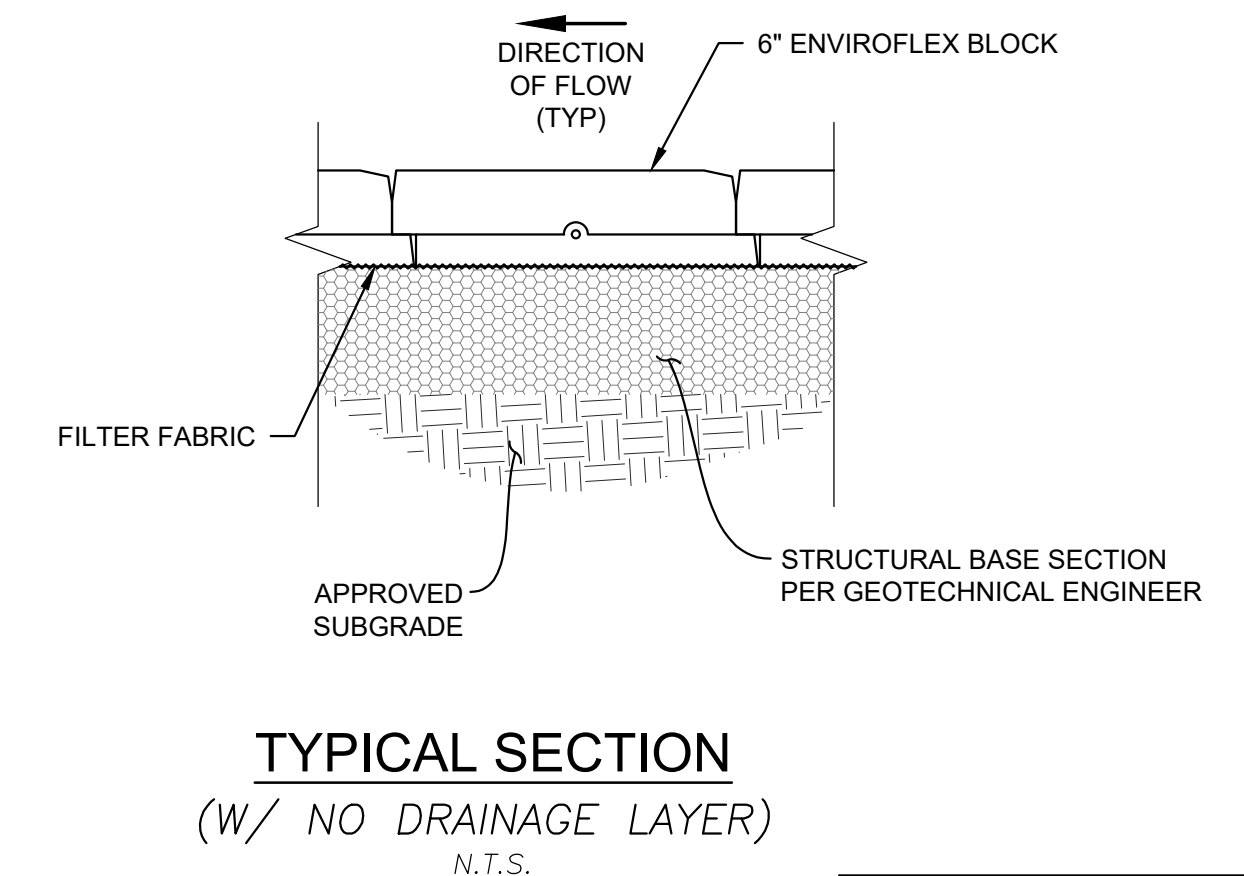
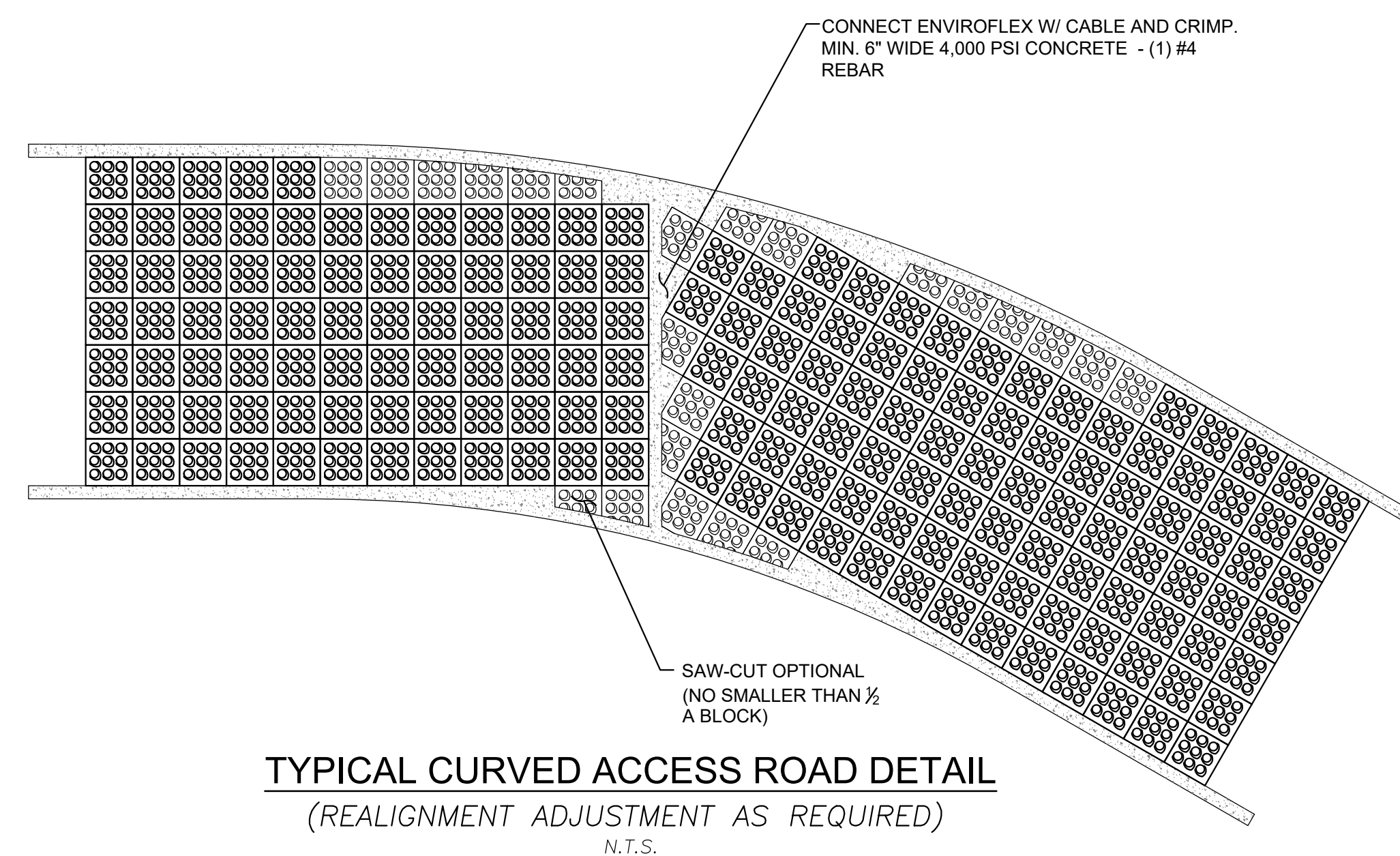
ENVIROFLEX® - ACCESS ROAD

TAPERED, VERTICALLY INTERLOCKING ARTICULATING CONCRETE BLOCK (ACB) SYSTEM



6" ENVIROFLEX DESIGN CRITERIA		
W/ 4" DRAINAGE LAYER		
CRITICAL SHEAR STRESS	PSF	24.8
VELOCITY LIMIT	FT/SEC	23.3

NO CONNECTORS OR CABLES WERE USED IN THE TESTING FOR THE VALUES LISTED ABOVE.



6" ENVIROFLEX DESIGN CRITERIA		
W/ NO DRAINAGE LAYER		
CRITICAL SHEAR STRESS	PSF	8.6
VELOCITY LIMIT	FT/SEC	12.1

NO CONNECTORS OR CABLES WERE USED IN THE TESTING FOR THE VALUES LISTED ABOVE.

TYPICAL ENVIROFLEX® BLOCK ACCESS ROAD LAYOUT
N.T.S.

