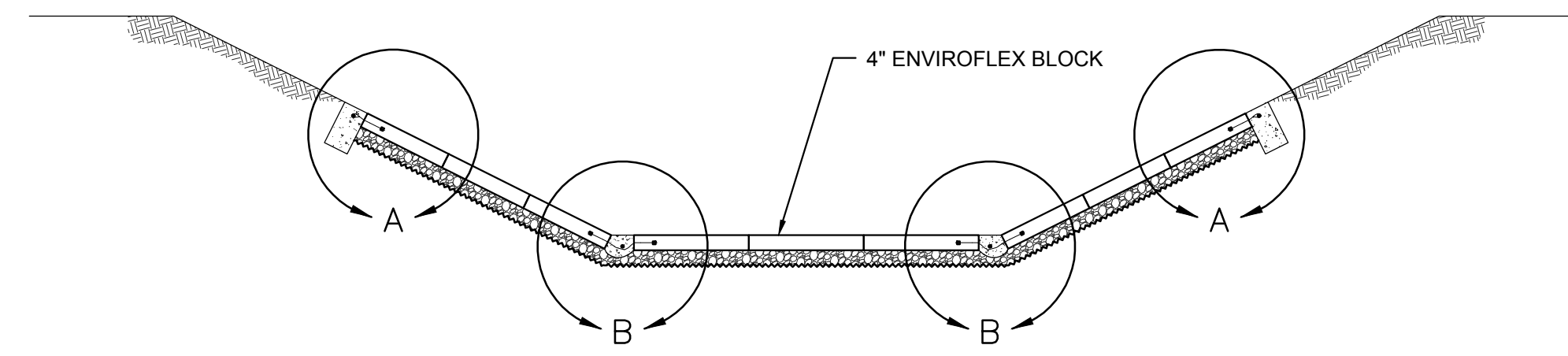


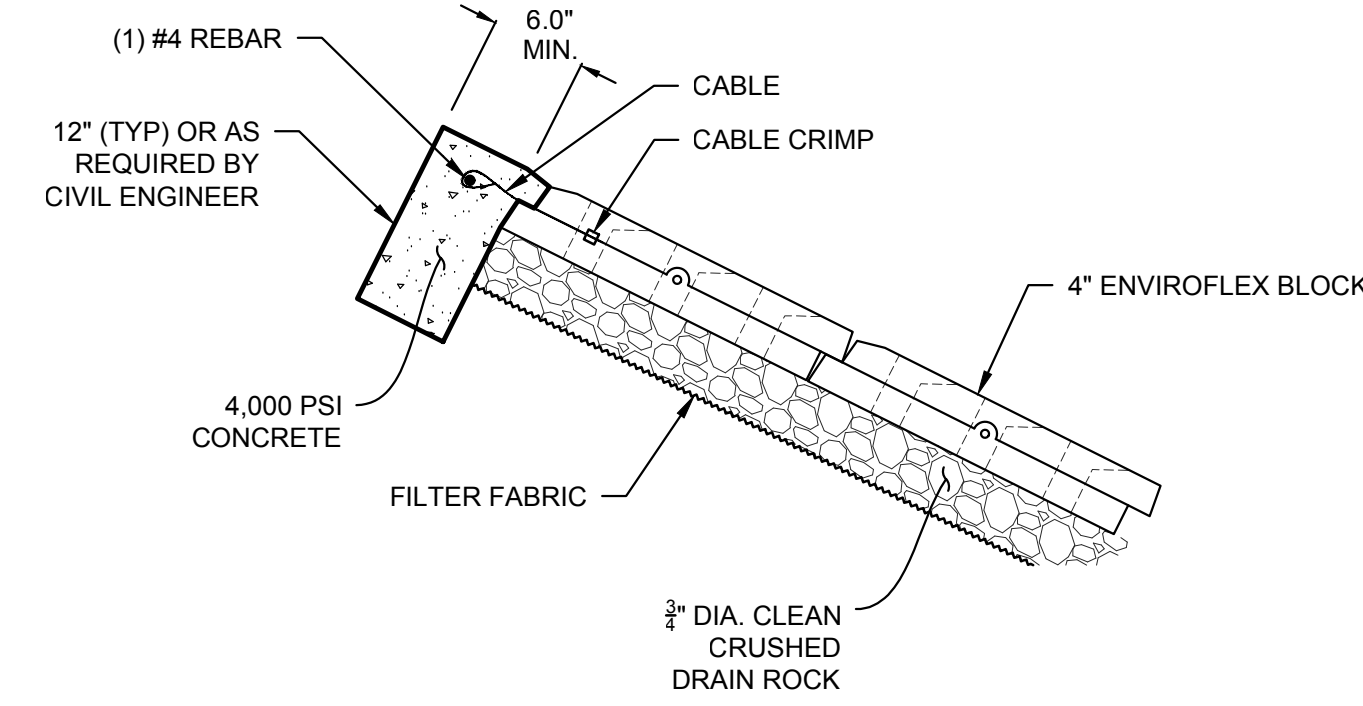
ENVIROFLEX® - 4" BLOCK

TAPERED, VERTICALLY INTERLOCKING ARTICULATING CONCRETE BLOCK (ACB) SYSTEM



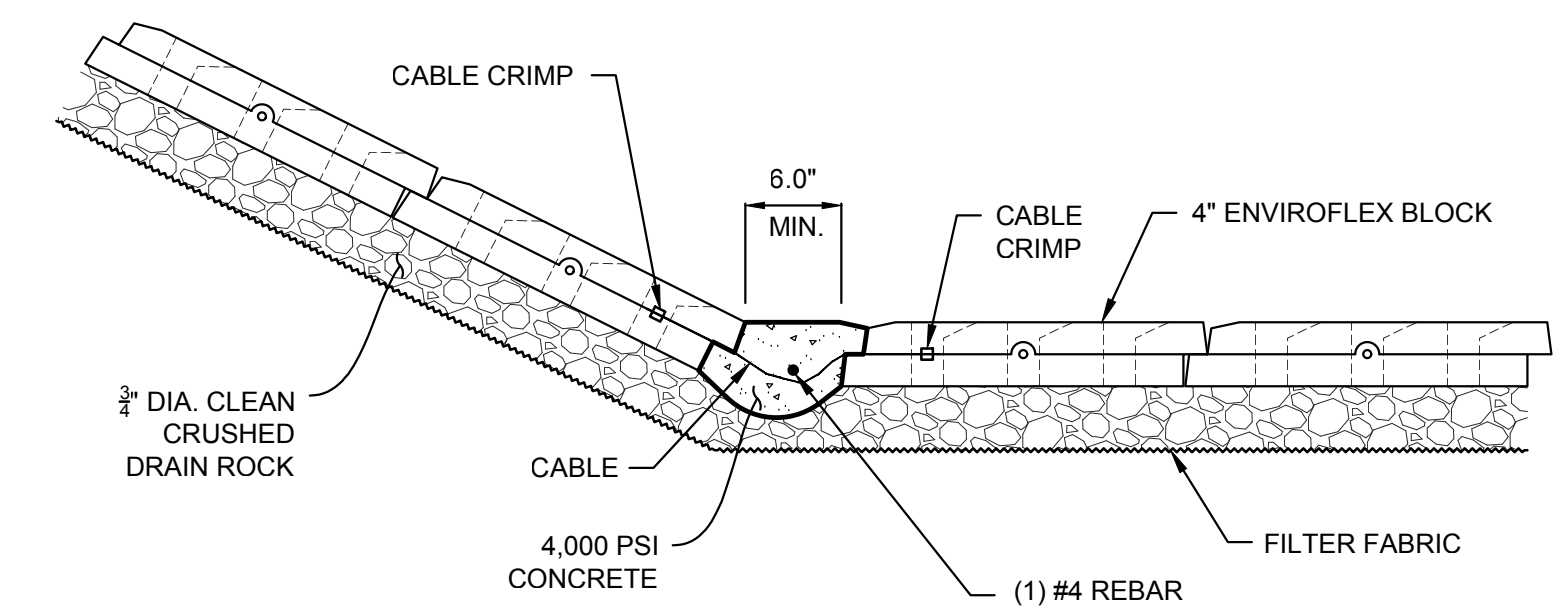
TYPICAL ENVIROFLEX® LINED TRAPEZOIDAL CHANNEL SECTION

N.T.S.



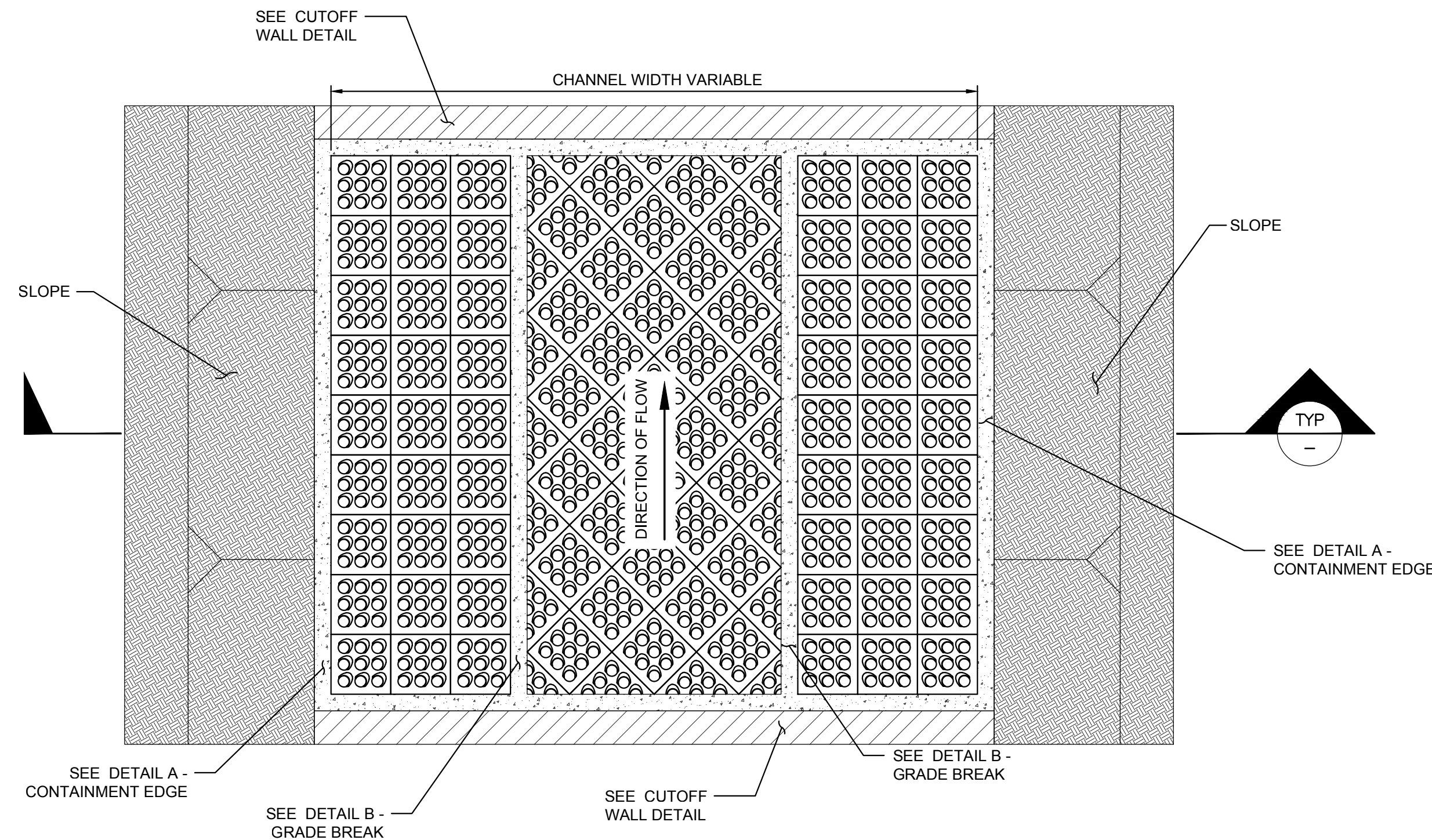
DETAIL A - CONTAINMENT EDGE

N.T.S.



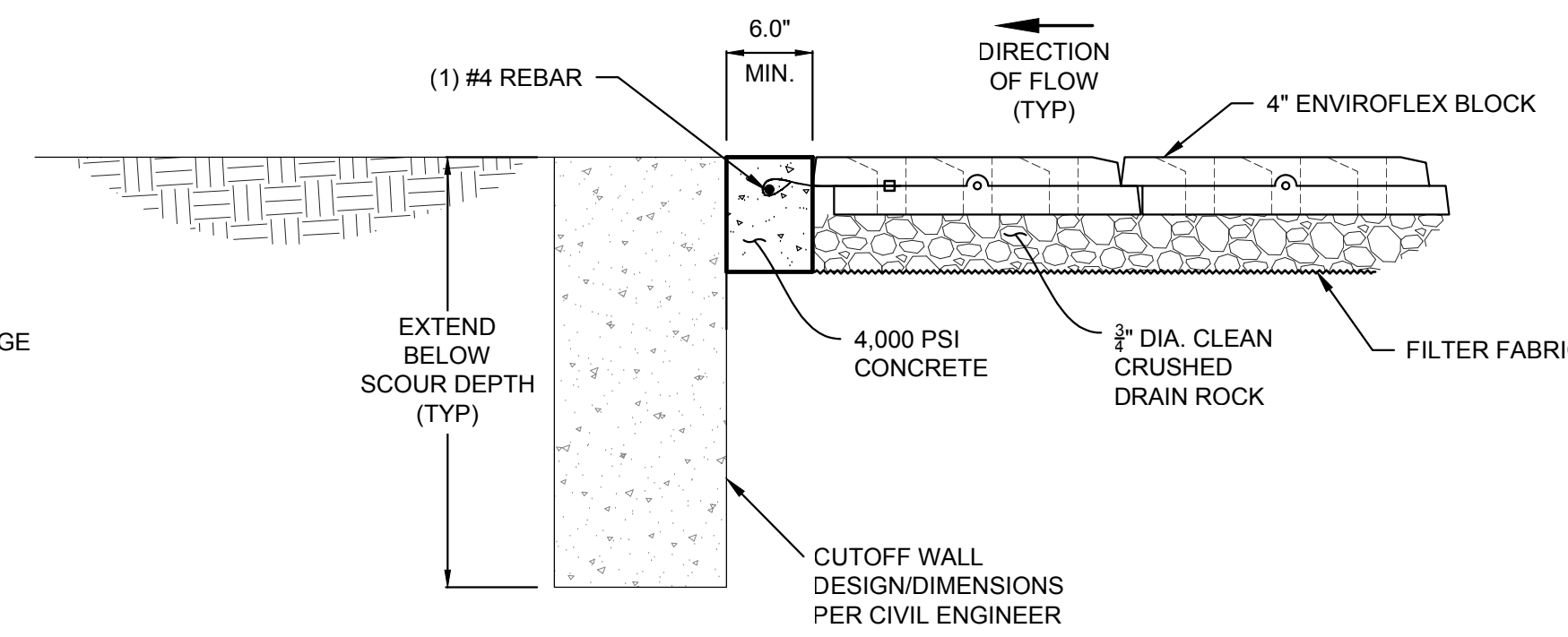
DETAIL B - GRADE BREAK

N.T.S.



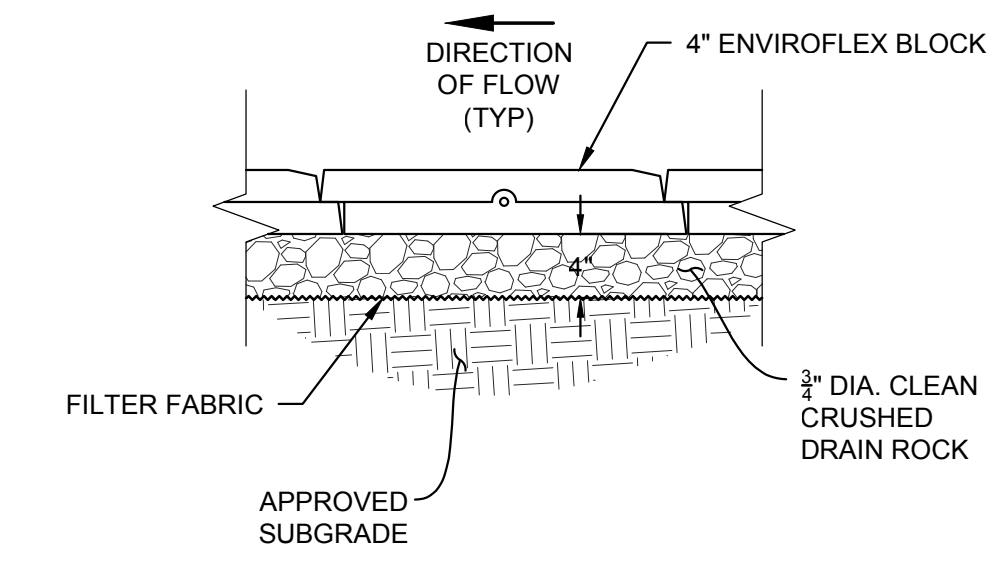
TYPICAL ENVIROFLEX® LINED TRAPEZOIDAL CHANNEL

N.T.S.



TYPICAL CUTOFF WALL DETAIL

N.T.S.

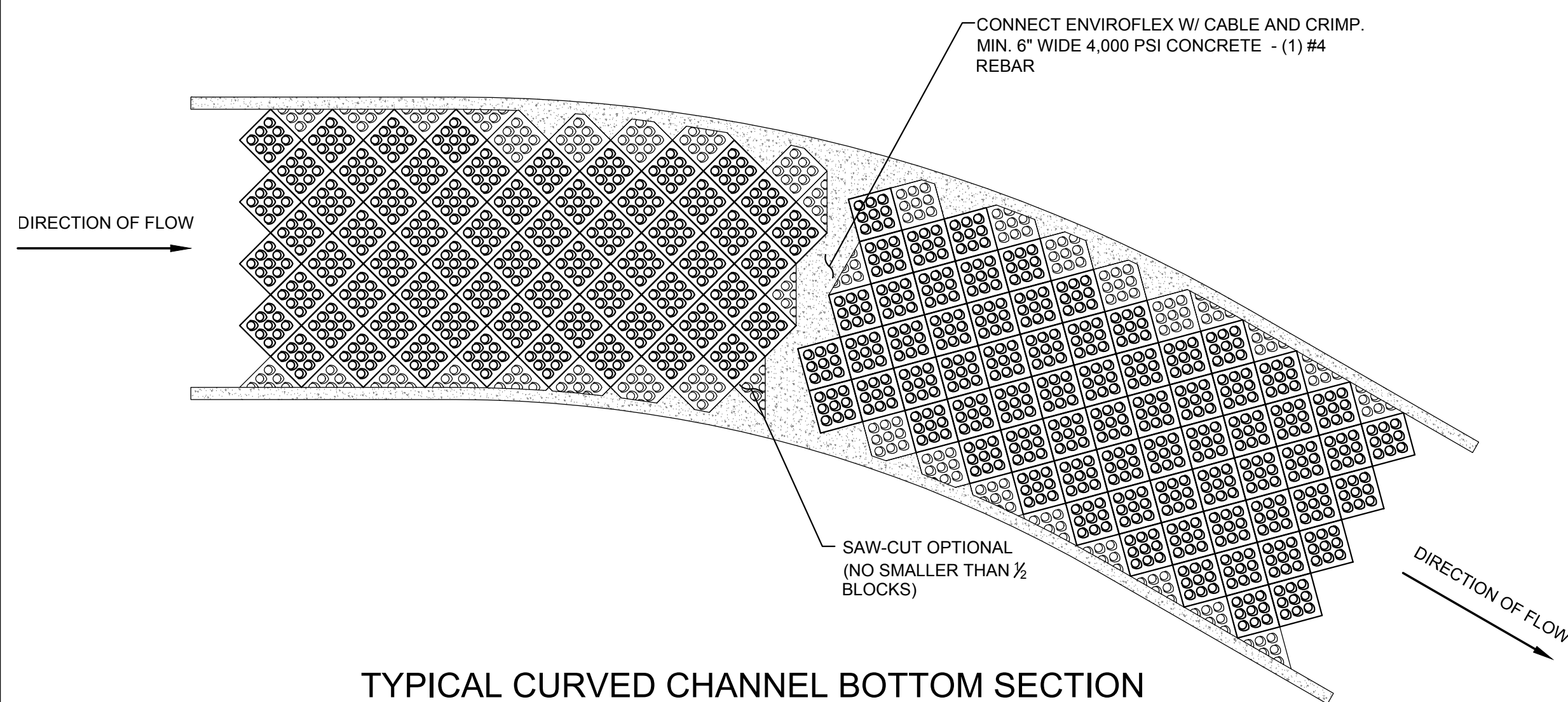


TYPICAL SECTION
(W/ 4" DRAINAGE LAYER)

N.T.S.

4" ENVIROFLEX DESIGN CRITERIA		
W/ 4" DRAINAGE LAYER		
CRITICAL SHEAR STRESS	PSF	18
VELOCITY LIMIT	FT/SEC	23.3

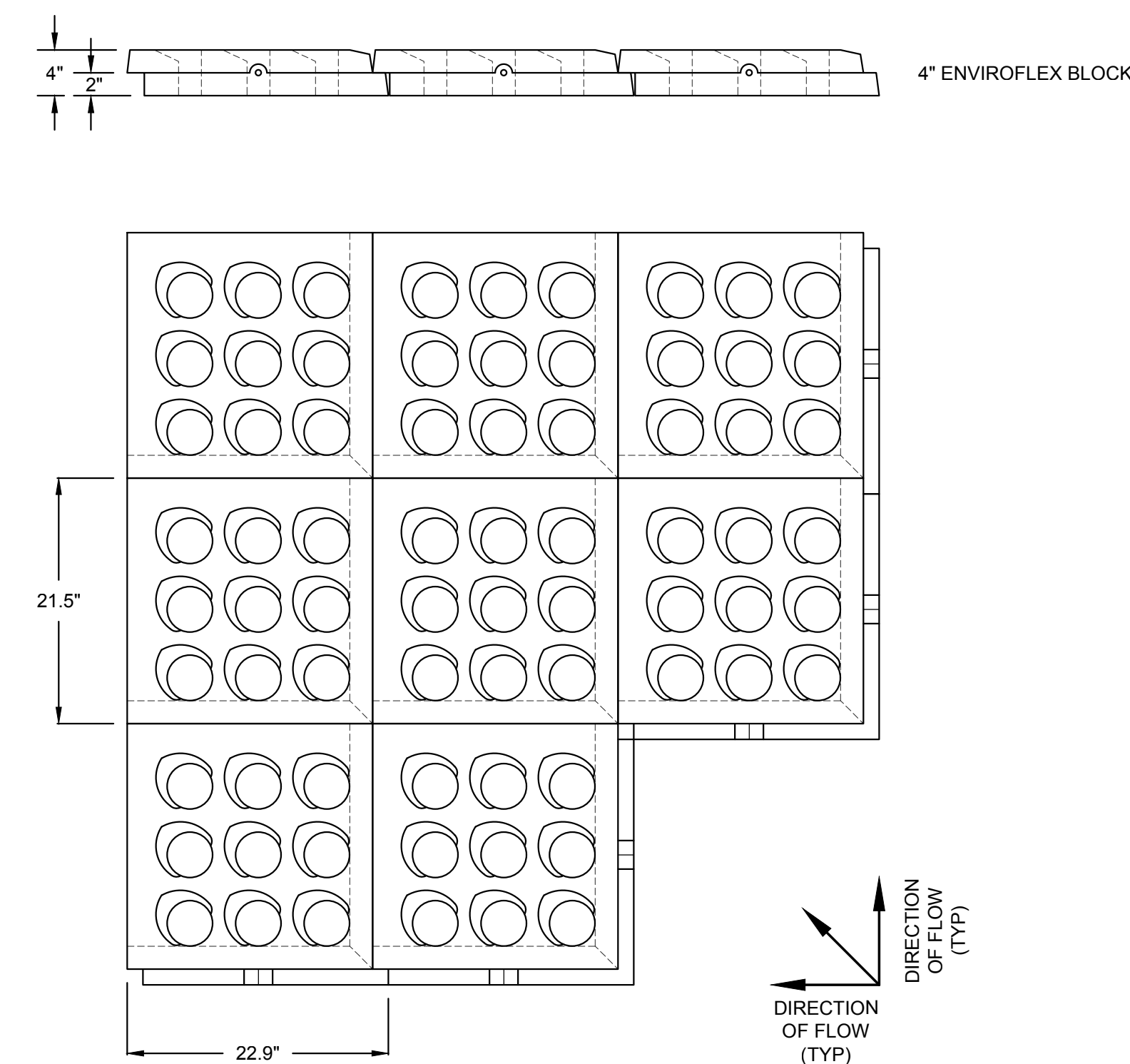
NO CONNECTORS OR CABLES WERE USED IN THE TESTING FOR THE VALUES LISTED ABOVE.



TYPICAL CURVED CHANNEL BOTTOM SECTION

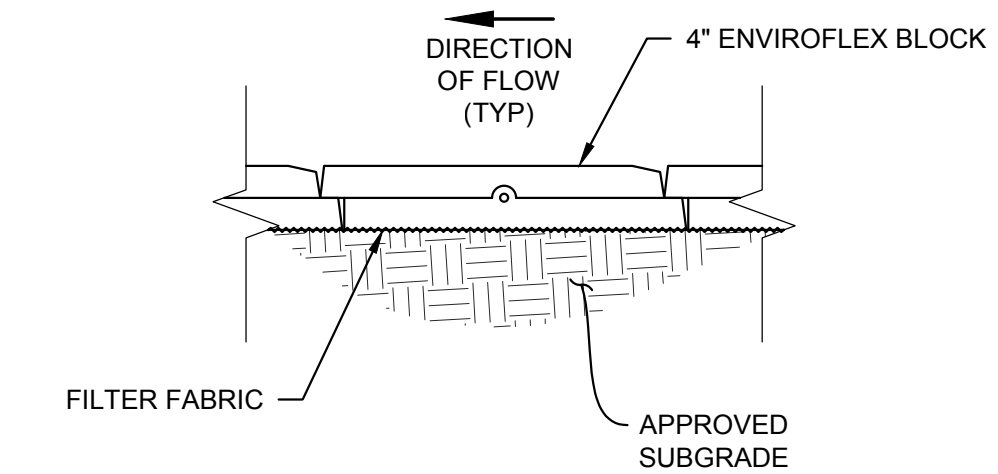
(REALIGNMENT ADJUSTMENT AS REQUIRED)

N.T.S.



ENVIROFLEX® BLOCK DETAILS

N.T.S.



TYPICAL SECTION
(OPTIONAL - W/ NO DRAINAGE LAYER)

N.T.S.

4" ENVIROFLEX DESIGN CRITERIA		
W/ NO DRAINAGE LAYER		
CRITICAL SHEAR STRESS	PSF	6.2
VELOCITY LIMIT	FT/SEC	12.1

NO CONNECTORS OR CABLES WERE USED IN THE TESTING FOR THE VALUES LISTED ABOVE.