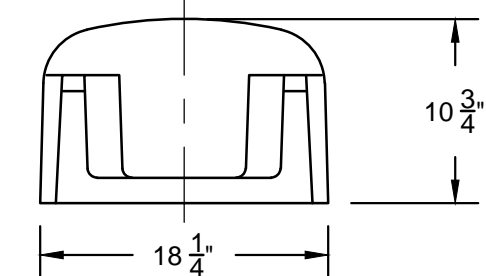
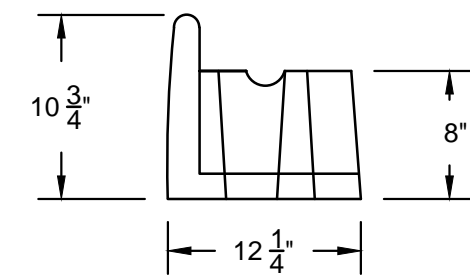


TOP VIEW

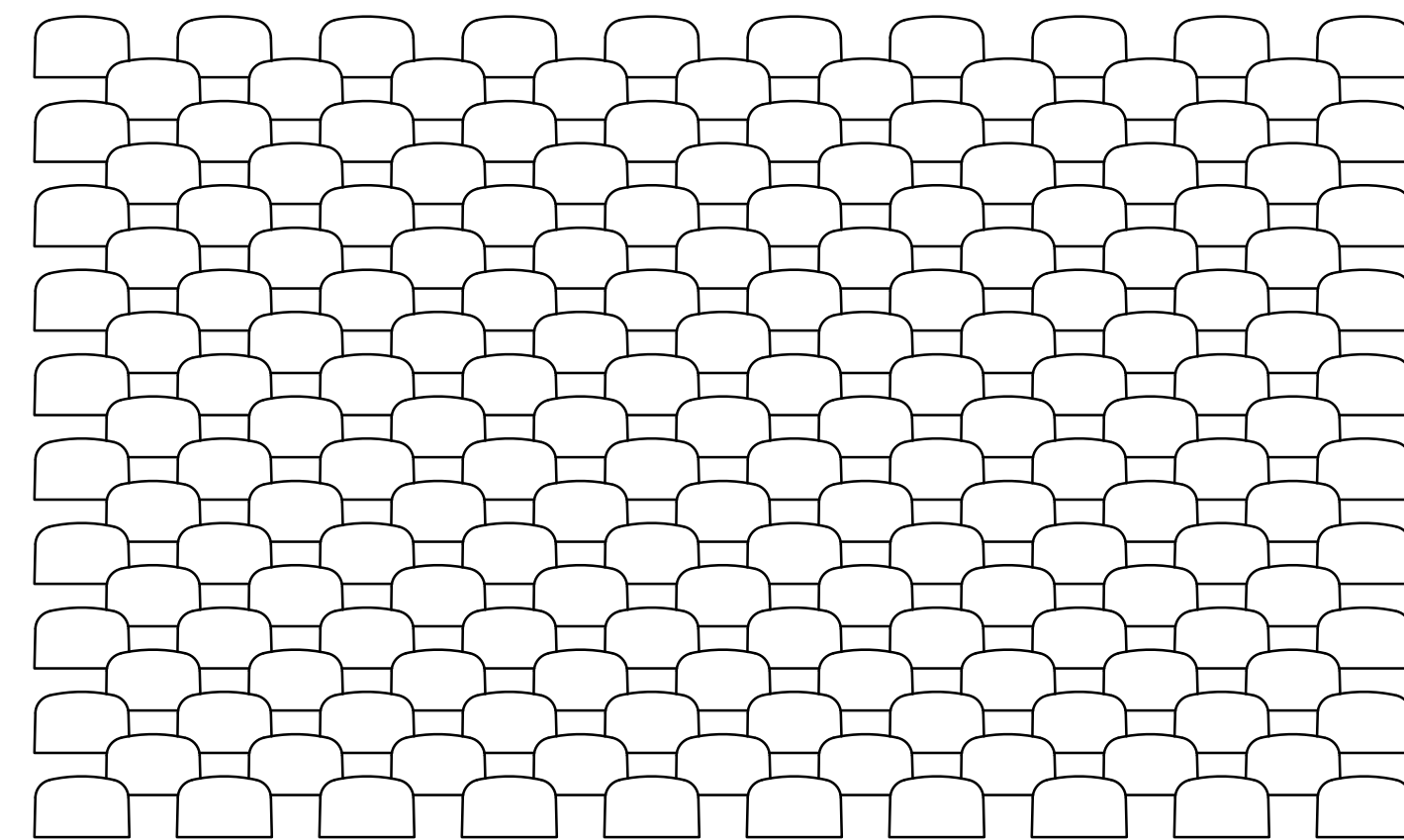


FRONT VIEW

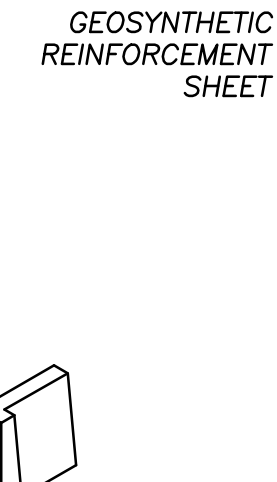


SIDE VIEW

VERDURA 40 BLOCK DETAIL

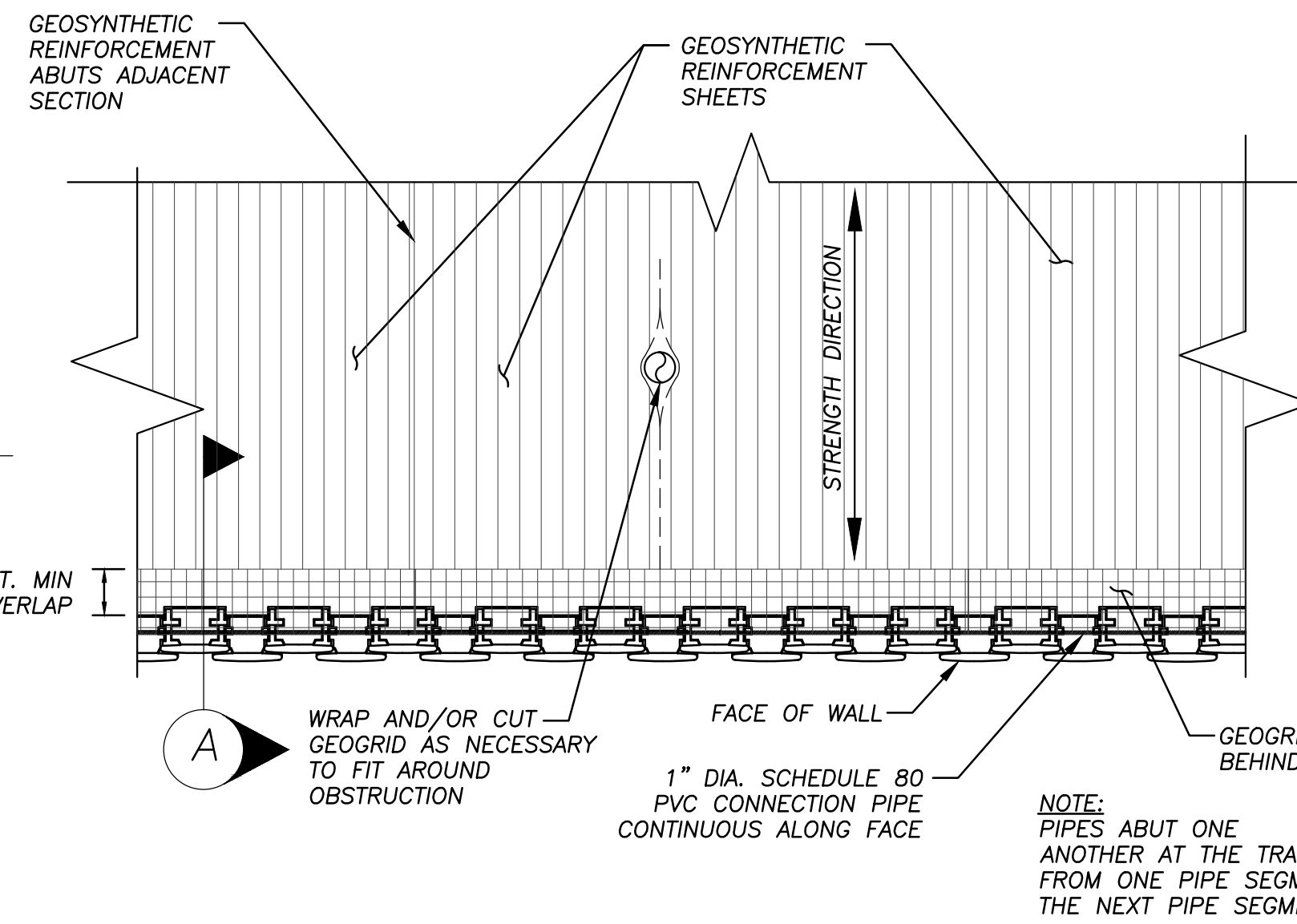


FRONT OF WALL DETAIL

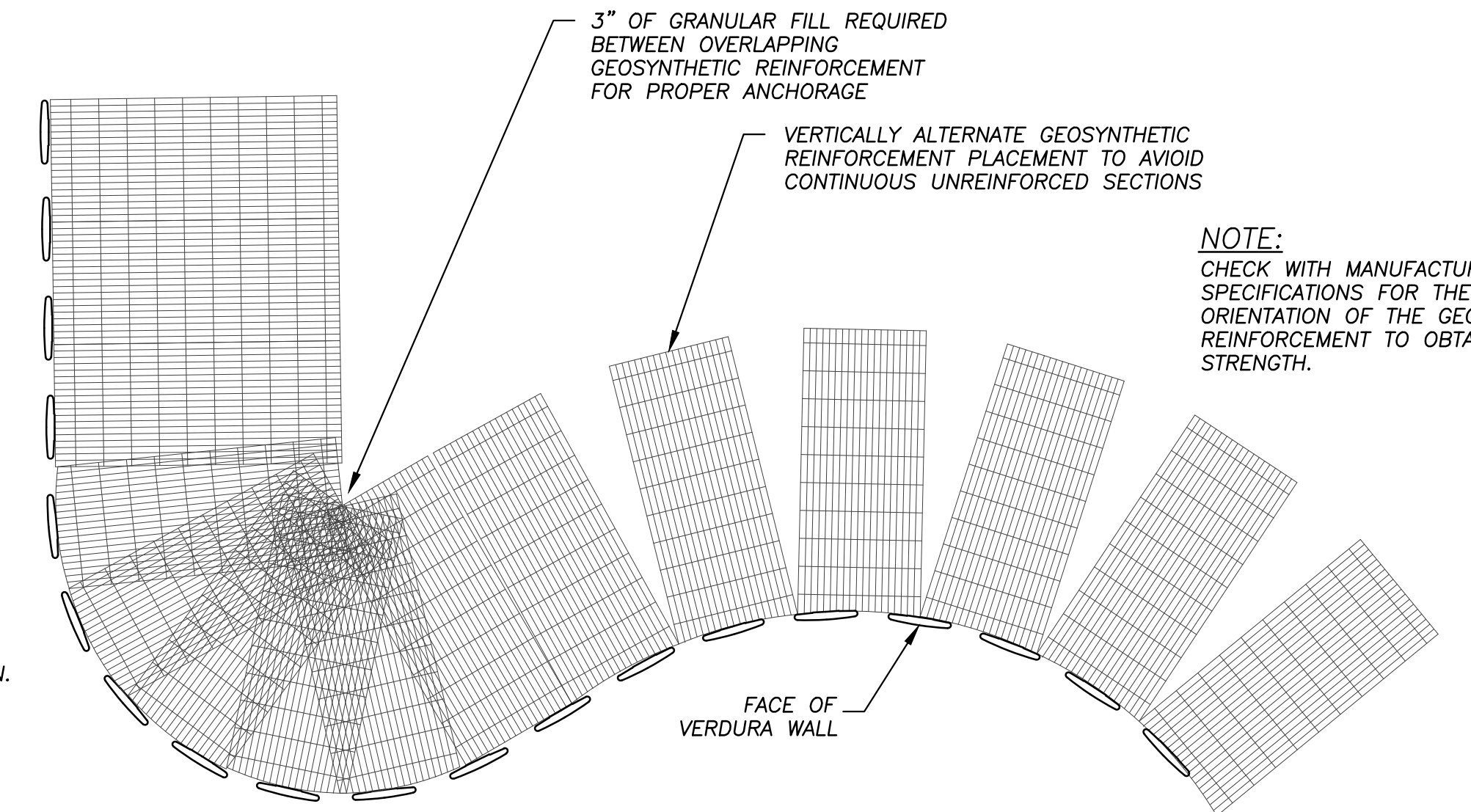


SECTION A

NOTE: GEOSYNTHETIC REINFORCEMENT OVERLAP SHALL BE ON TOP.

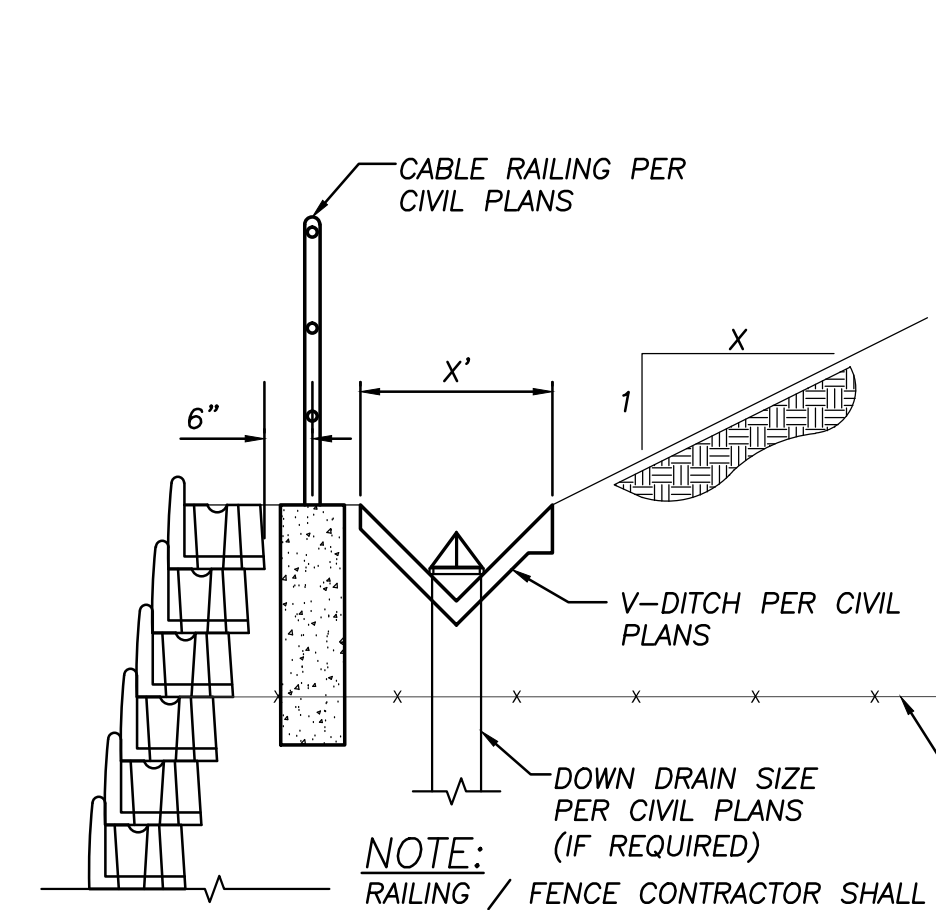


GEOGRID CONNECTION DETAIL

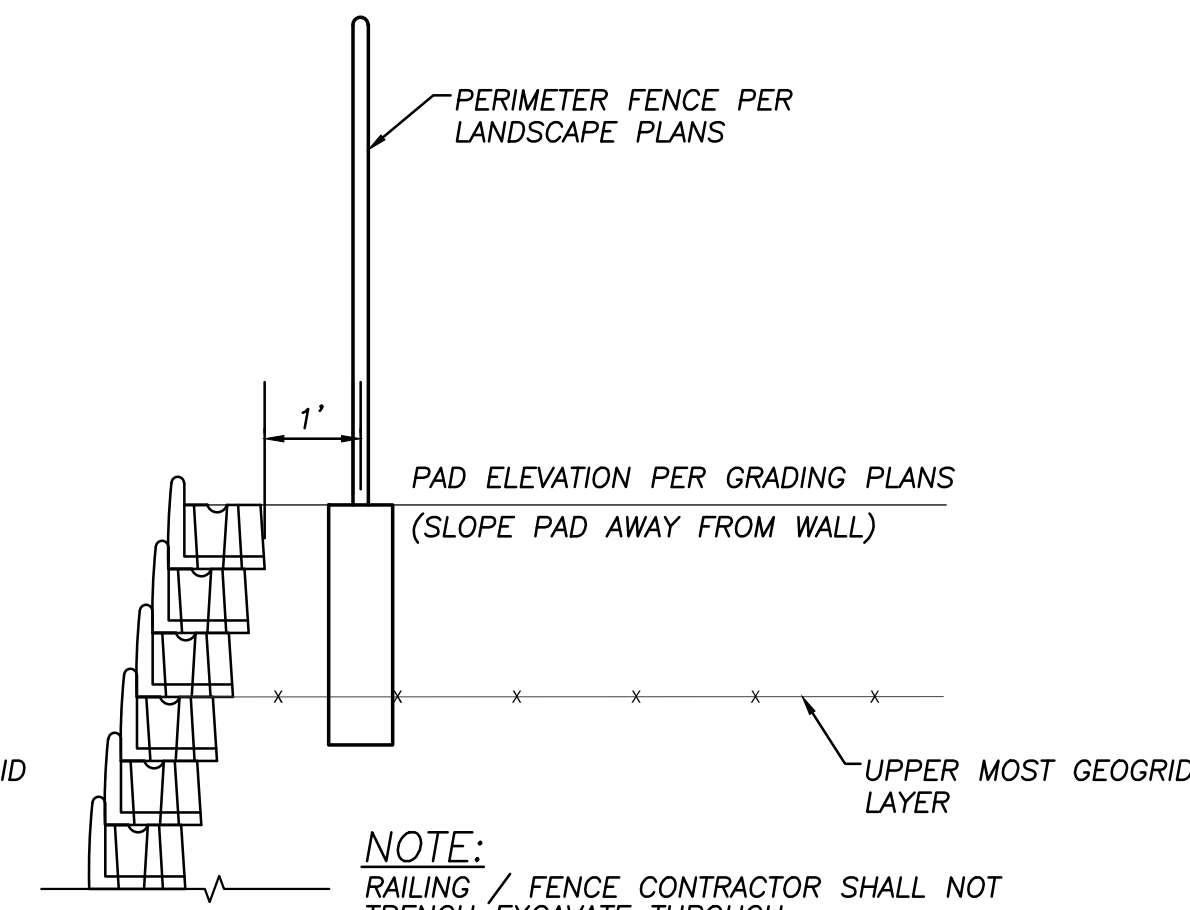


GEOGRID PLACEMENT ON CURVES DETAIL

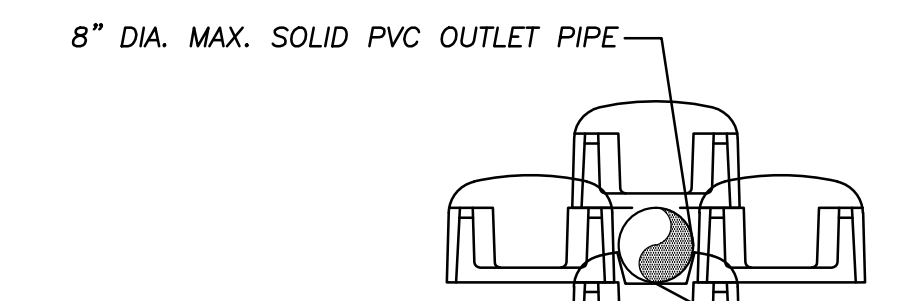
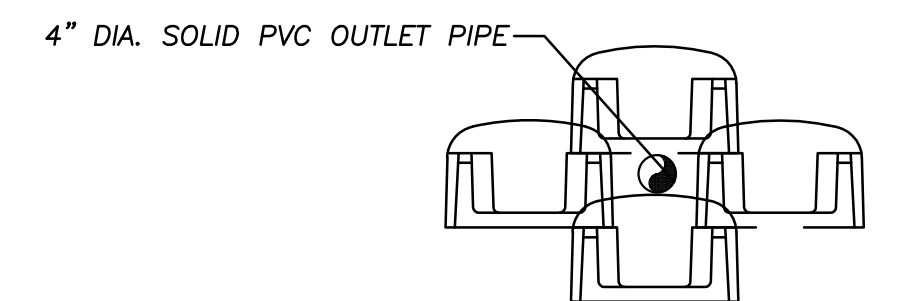
NOTE: CHECK WITH MANUFACTURER'S SPECIFICATIONS FOR THE CORRECT ORIENTATION OF THE GEOSYNTHETIC REINFORCEMENT TO OBTAIN PROPER STRENGTH.



TYPICAL SLOPE CONDITION DETAIL

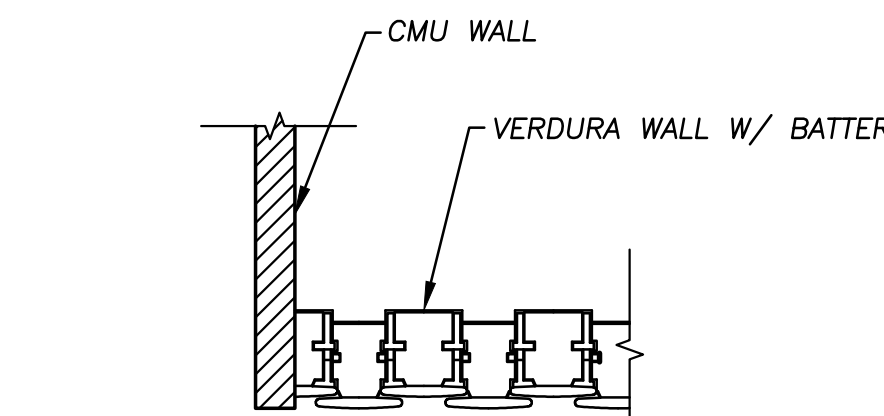


TYPICAL LEVEL CONDITION DETAIL

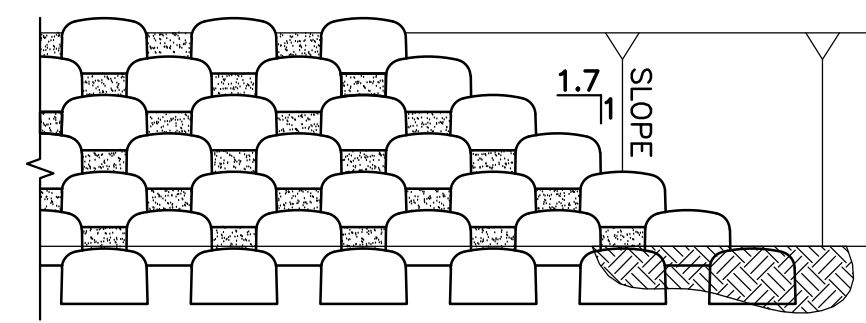


SAWCUT LIP OF BOTTOM BLOCK AS NECESSARY TO FIT WITHIN 9" BLOCK SPACING

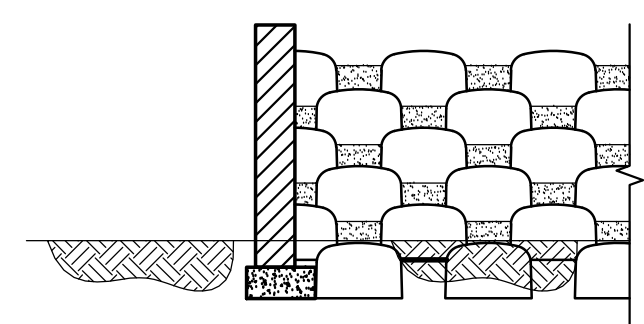
TYPICAL PENETRATION DETAIL



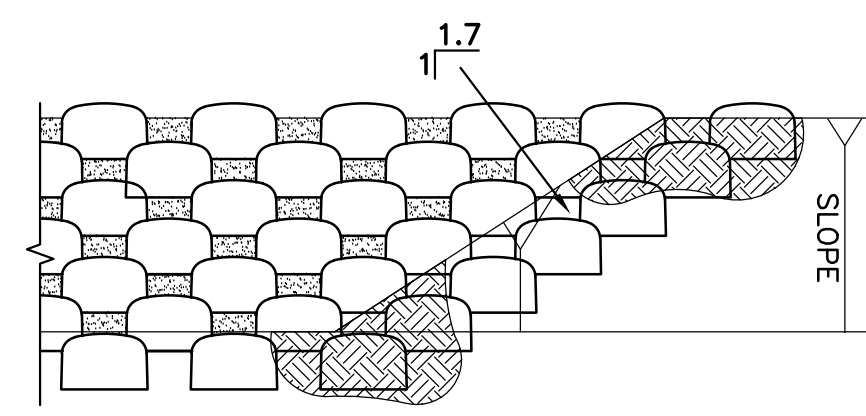
CASE A PLAN VIEW



CASE B

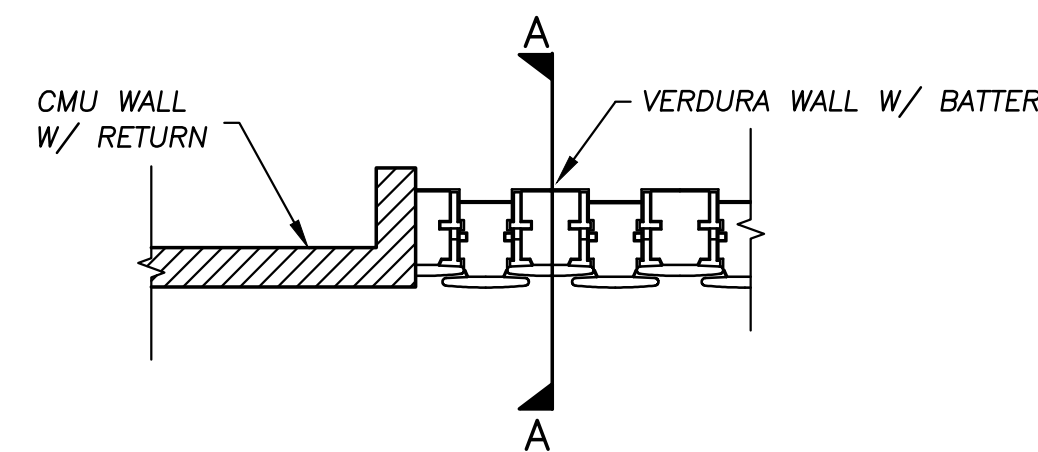


CASE A

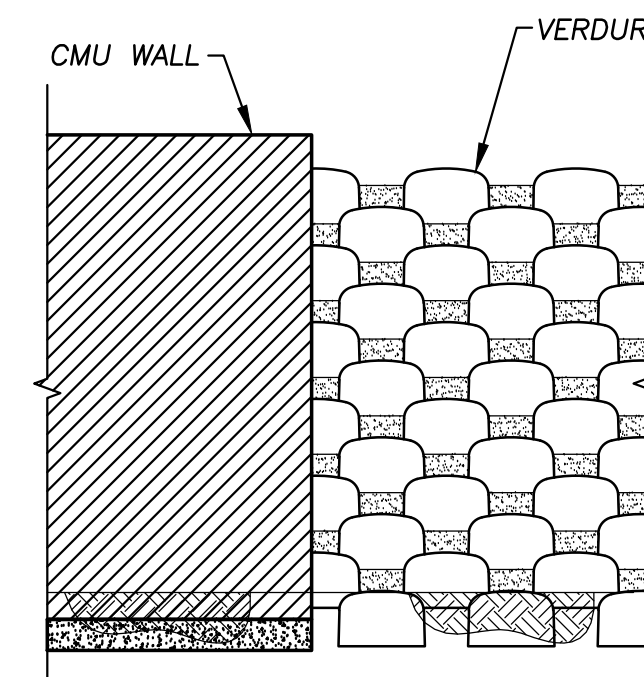


CASE C

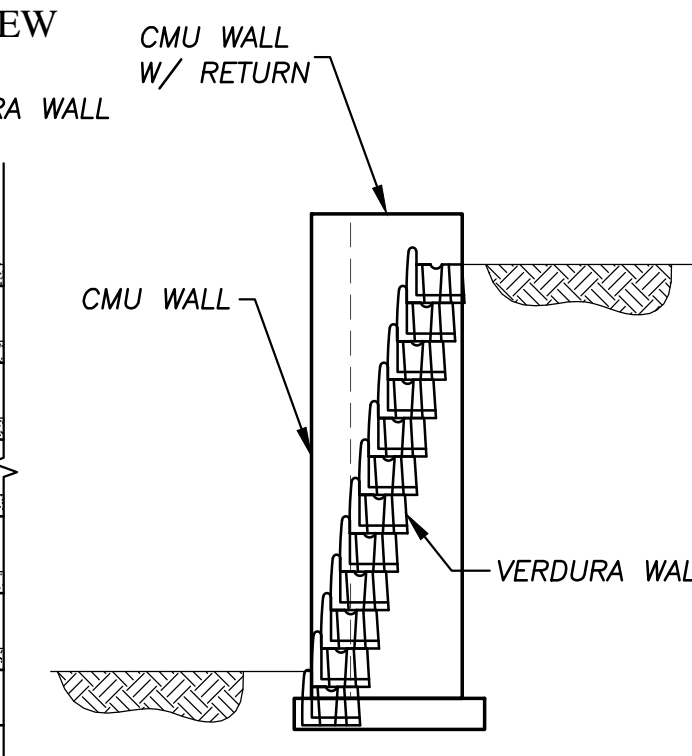
END OF WALL TRANSITION DETAIL



CASE D PLAN VIEW

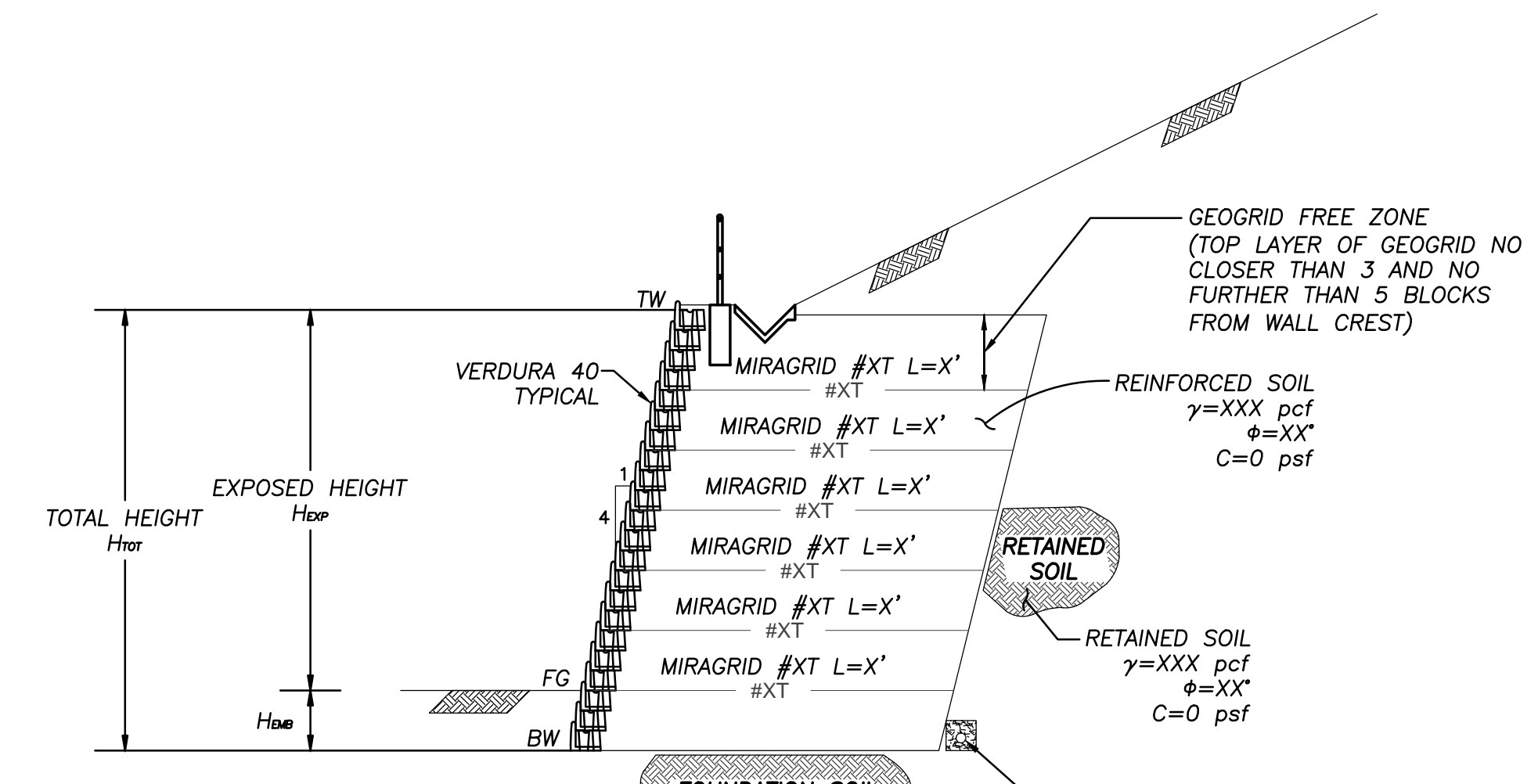


CASE D



SECTION A-A

TOP OF WALL DETAILS



LEGEND

- XT- GEOSYNTHETIC REINFORCEMENT
- H_{tot} OVERALL WALL HEIGHT
- H_{exp} EXPOSED WALL HEIGHT
- H_{emb} WALL EMBEDMENT
- FG FINISHED GRADE
- TW TOP OF WALL
- BW BOTTOM OF WALL

- FOUNDATION SOIL
- γ=XXX pcf
- φ=XX°
- C=XXX psf

TYPICAL CROSS SECTION DETAIL



PROTECTED BY US AND INTERNATIONAL PATENTS AND TRADEMARKS

(800) 346-7995 www.soilretention.com