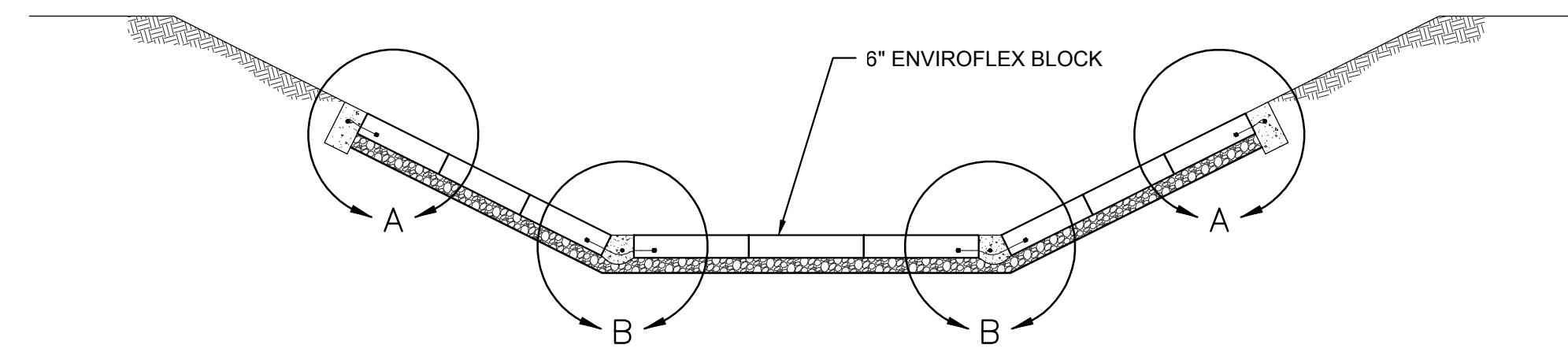


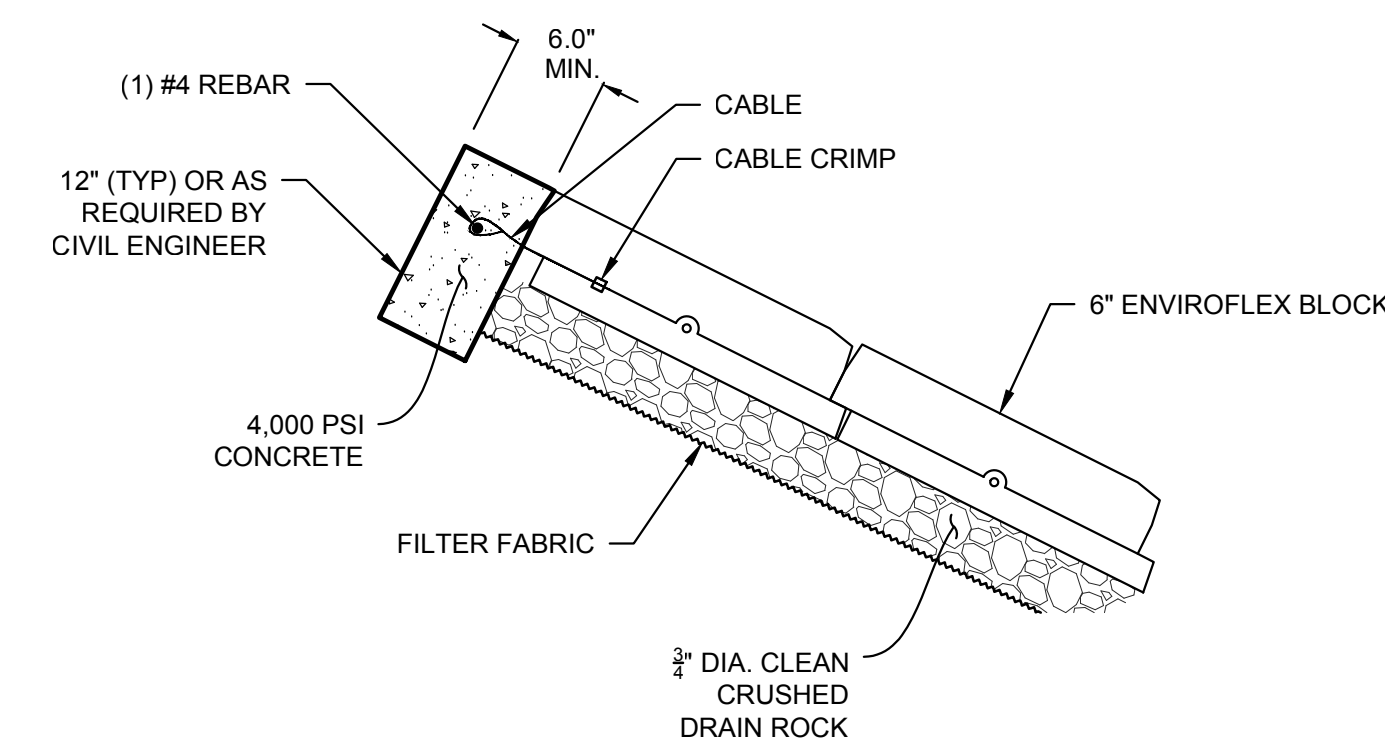
ENVIROFLEX® - 6" BLOCK

TAPERED, VERTICALLY INTERLOCKING ARTICULATING CONCRETE BLOCK (ACB) SYSTEM



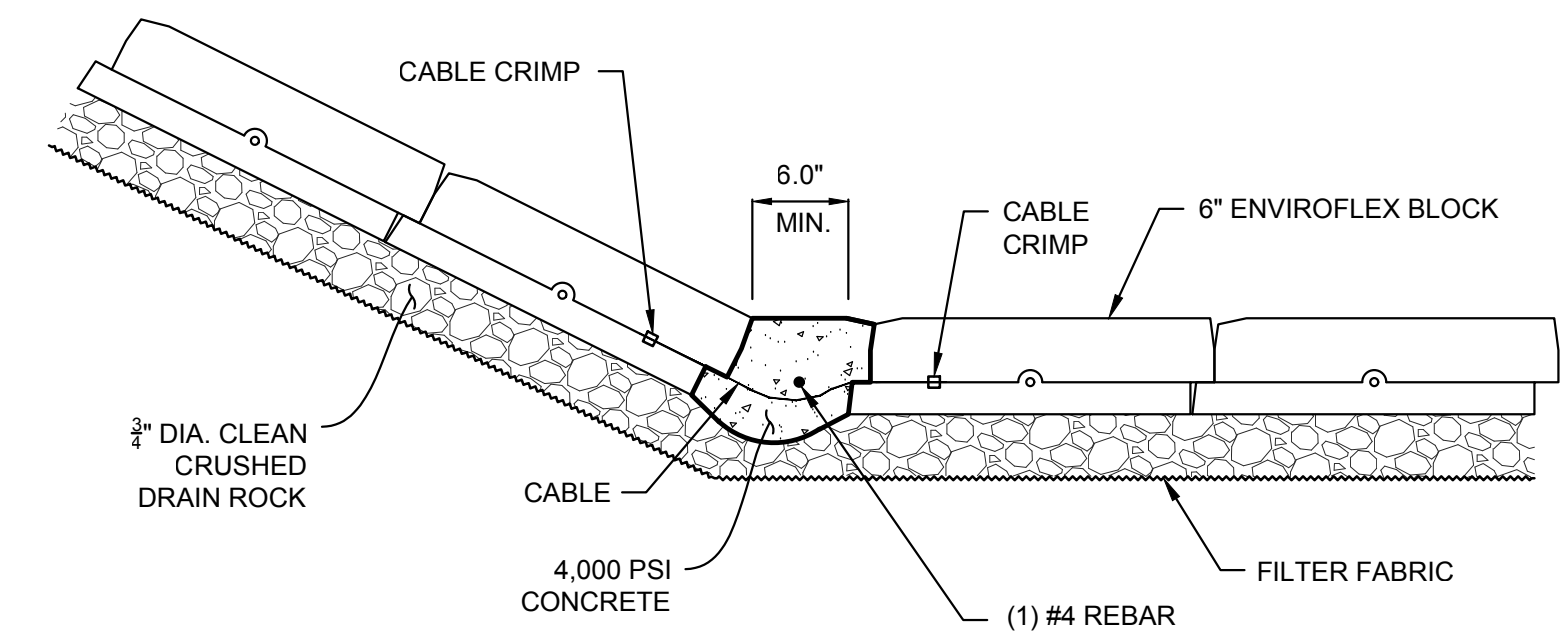
TYPICAL ENVIROFLEX® LINED TRAPEZOIDAL CHANNEL SECTION

N.T.S.



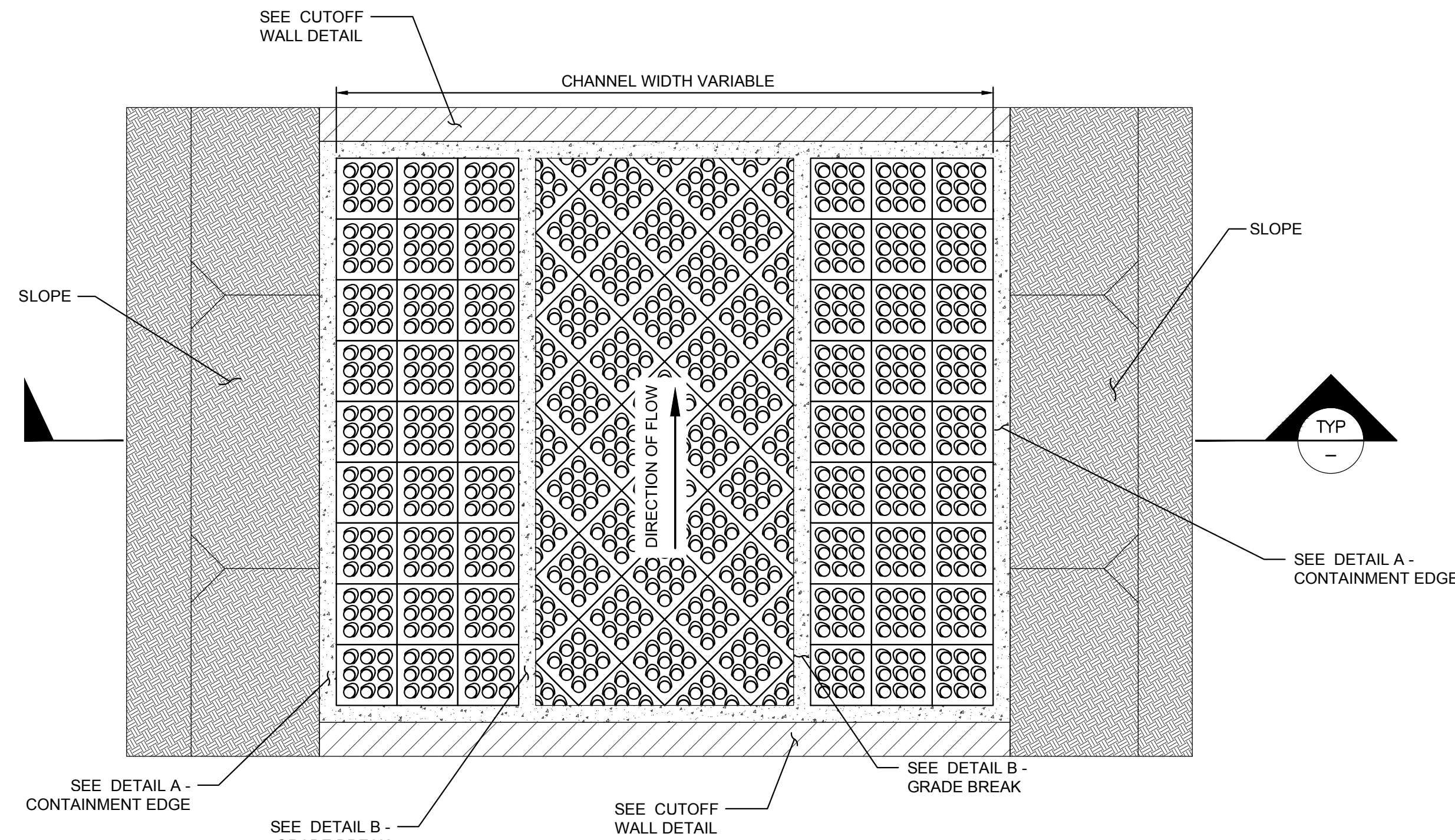
DETAIL A - CONTAINMENT EDGE

N.T.S.



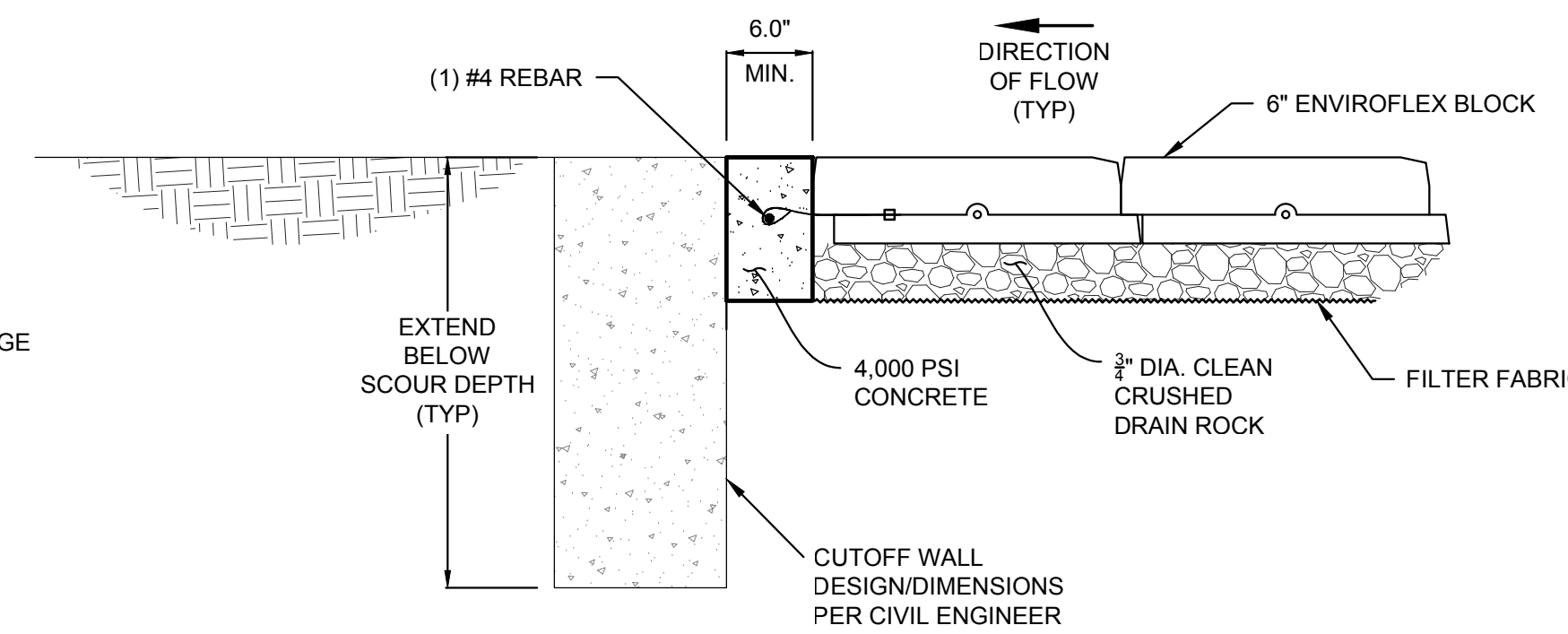
DETAIL B - GRADE BREAK

N.T.S.



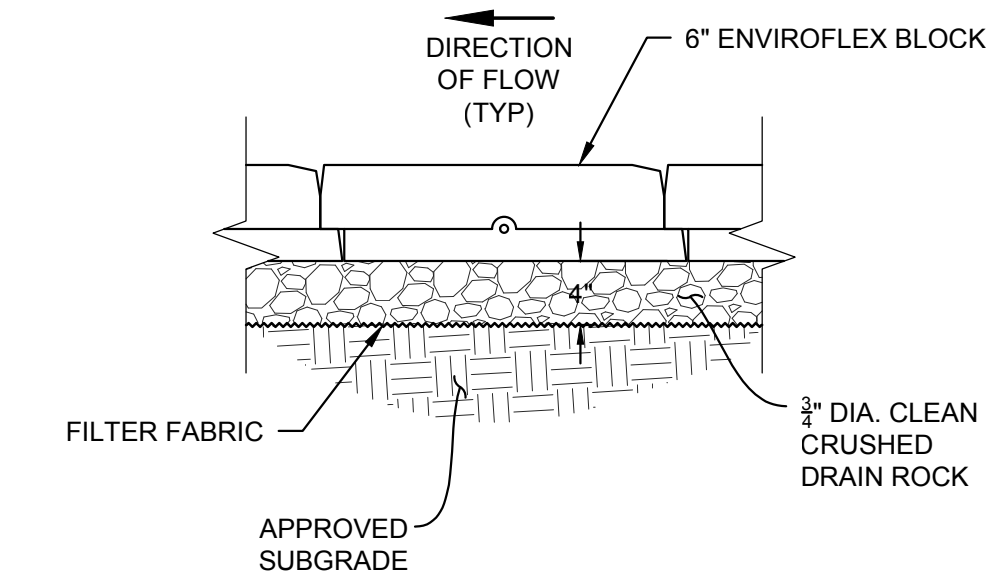
TYPICAL ENVIROFLEX® LINED TRAPEZOIDAL CHANNEL

N.T.S.



TYPICAL CUTOFF WALL DETAIL

N.T.S.

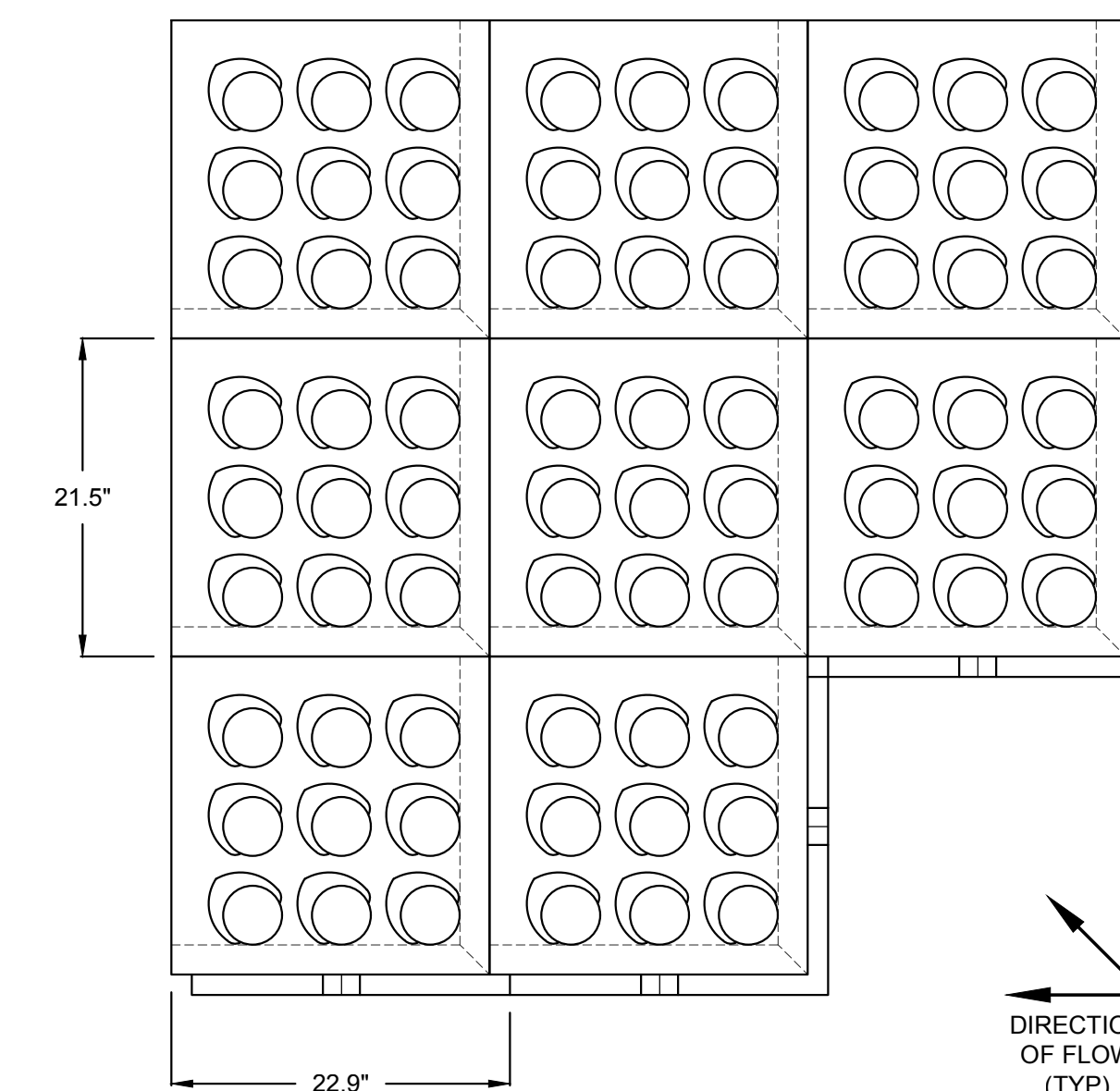
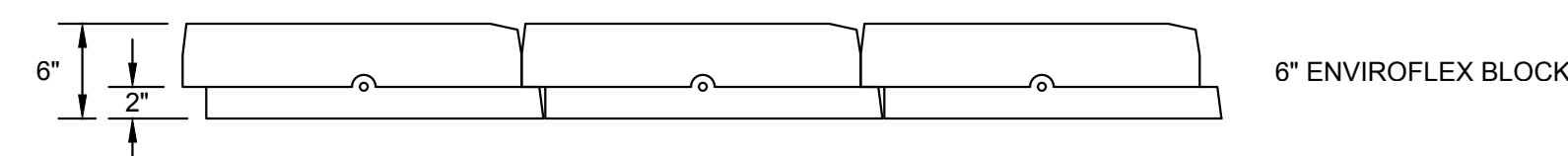


TYPICAL SECTION
(W/ 4" DRAINAGE LAYER)

N.T.S.

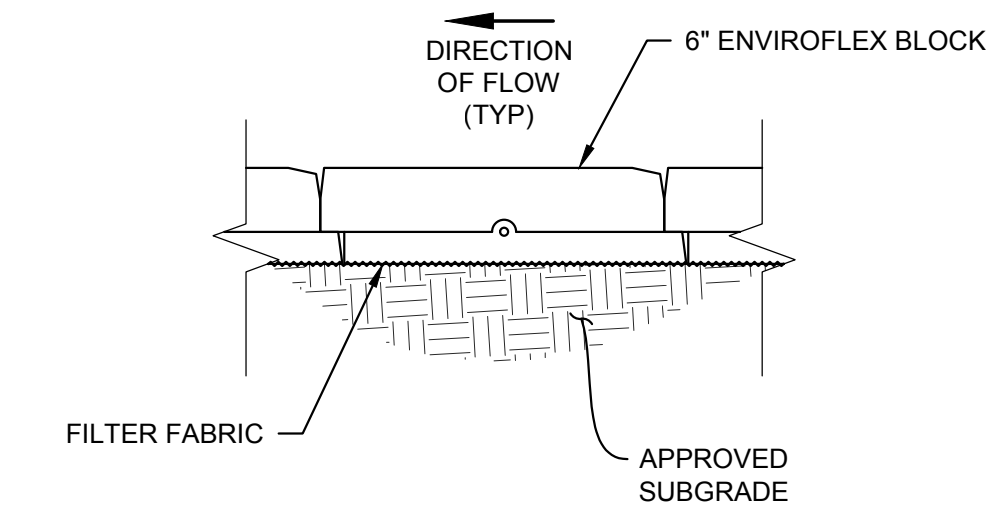
6" ENVIROFLEX DESIGN CRITERIA			
W/ 4" DRAINAGE LAYER			
CRITICAL SHEAR STRESS	PSF		24.8
VELOCITY LIMIT	FT/SEC		23.3

NO CONNECTORS OR CABLES WERE USED IN THE TESTING FOR THE VALUES LISTED ABOVE.



ENVIROFLEX® BLOCK DETAILS

N.T.S.

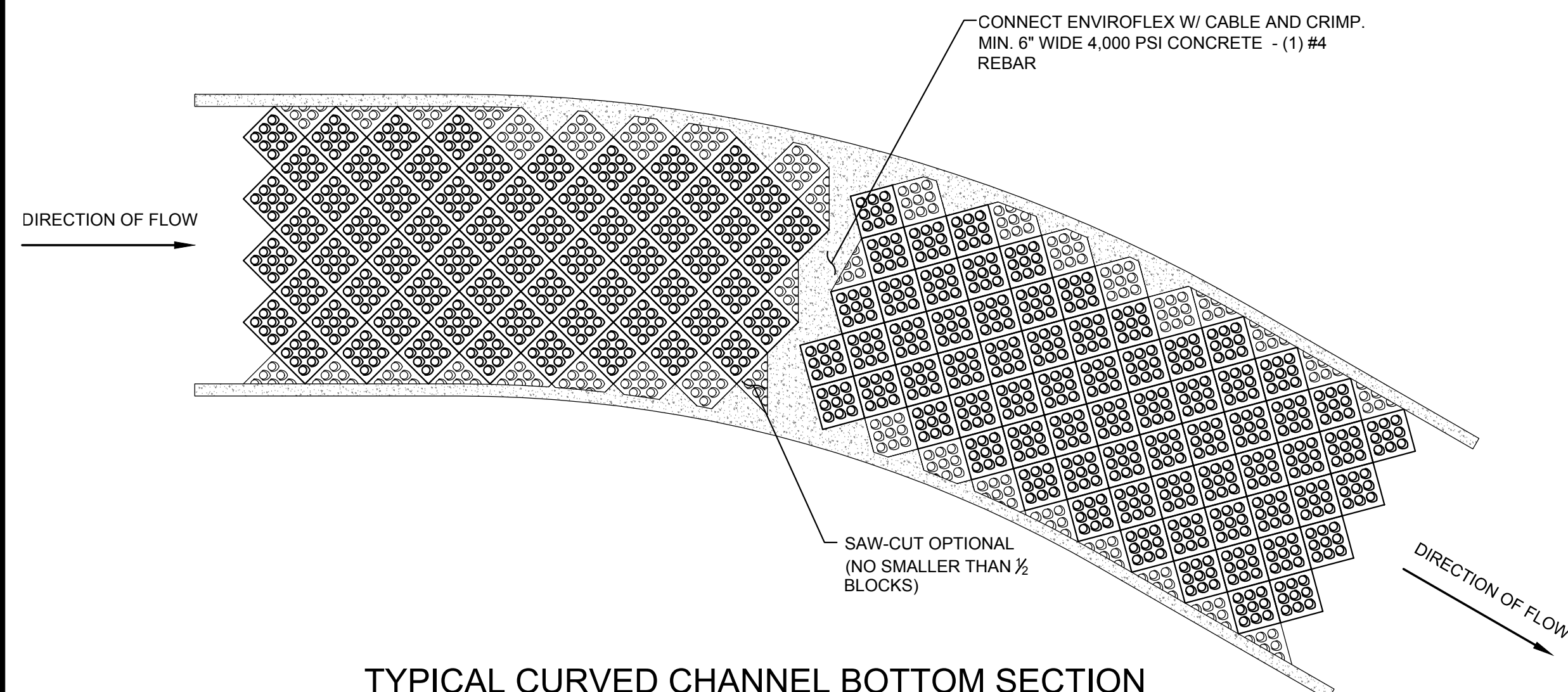


TYPICAL SECTION
(OPTIONAL - W/ NO DRAINAGE LAYER)

N.T.S.

6" ENVIROFLEX DESIGN CRITERIA			
W/ NO DRAINAGE LAYER			
CRITICAL SHEAR STRESS	PSF		8.6
VELOCITY LIMIT	FT/SEC		12.1

NO CONNECTORS OR CABLES WERE USED IN THE TESTING FOR THE VALUES LISTED ABOVE.



TYPICAL CURVED CHANNEL BOTTOM SECTION

(REALIGNMENT ADJUSTMENT AS REQUIRED)

N.T.S.